

作成承認印


配布許可印

**EF 300****FCA 38001****EF 300 QD****FCA 38201****Nice Touch 4****FCA 38101****Nice Touch 4 QD****FCA 38301****REPAIR MANUAL**

***Nikon*** | **NIKON CORPORATION**  
Tokyo, Japan

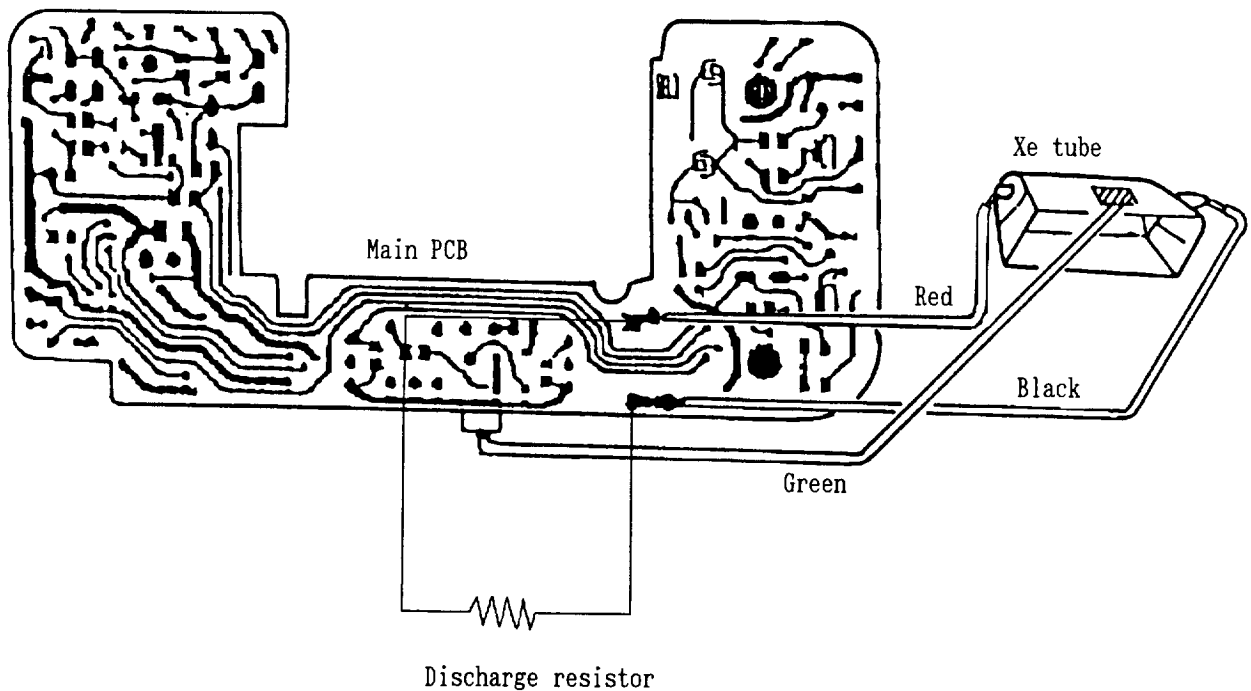
Copyright © 1996 by Nikon Corporation.  
All Rights Reserved.



<b>⚠ WARNING</b>	
	<ul style="list-style-type: none"> <li>• There are high voltage parts inside. Be careful of this electric shock, when you remove the cover.</li> <li>• You must discharge the main condenser according to the instruction of this repair manual after you remove the front cover.</li> </ul>

### [DISCHARGING OF THE MAIN CONDENSER]

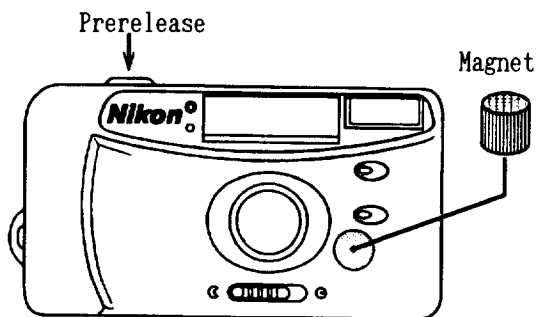
- Discharge the main condenser from both ends of flash tube or between the terminals of the main condenser.
- Use a discharge resistor of approx.  $2K \Omega / 5W$ .



Note : Basically the body exchange is to be adopted when the repair is necessary, and only the cosmetic parts are prepared to supply. Accordingly, this repair manual does not include the chapters for disassembling and assembling.

## [2] CHECKING AND ADJUSTMENT

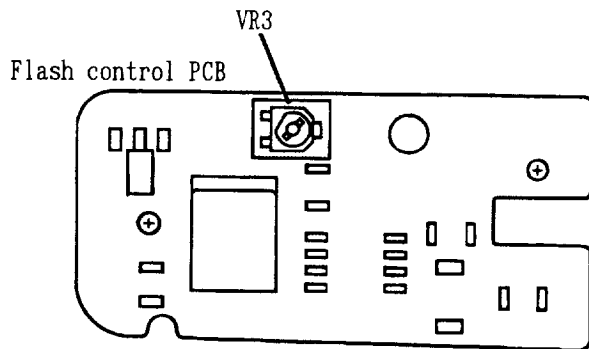
### 1. BACK FOCUS



- ① Set the Flat Mirror to the Aperture part.
- ② Set the magnet with strong magnetism to the place as shown left.  
Press the shutter halfway to make the shutter blade opened.  
When the magnetism is weak, remove the front cover before pressing the shutter.
- ③ Confirm if the value of Collimator (J19019) is within range of standard.  
When the value is out of standard, turn the photo lens to adjust until the value come into the range of standard.

Standard range :  $-10 \pm 3\text{mm}$

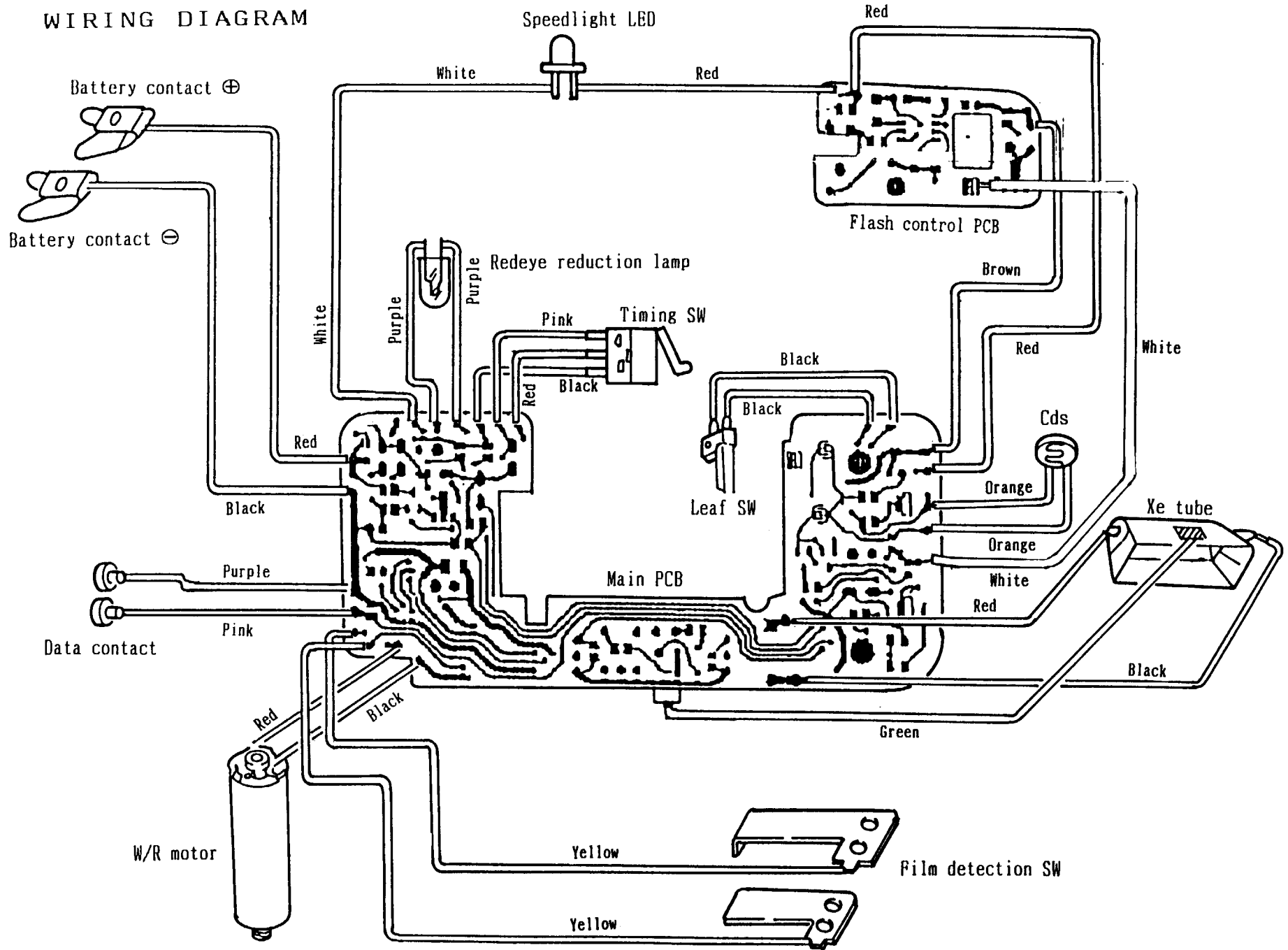
### 2. AUTOMATIC FLASH LEVEL

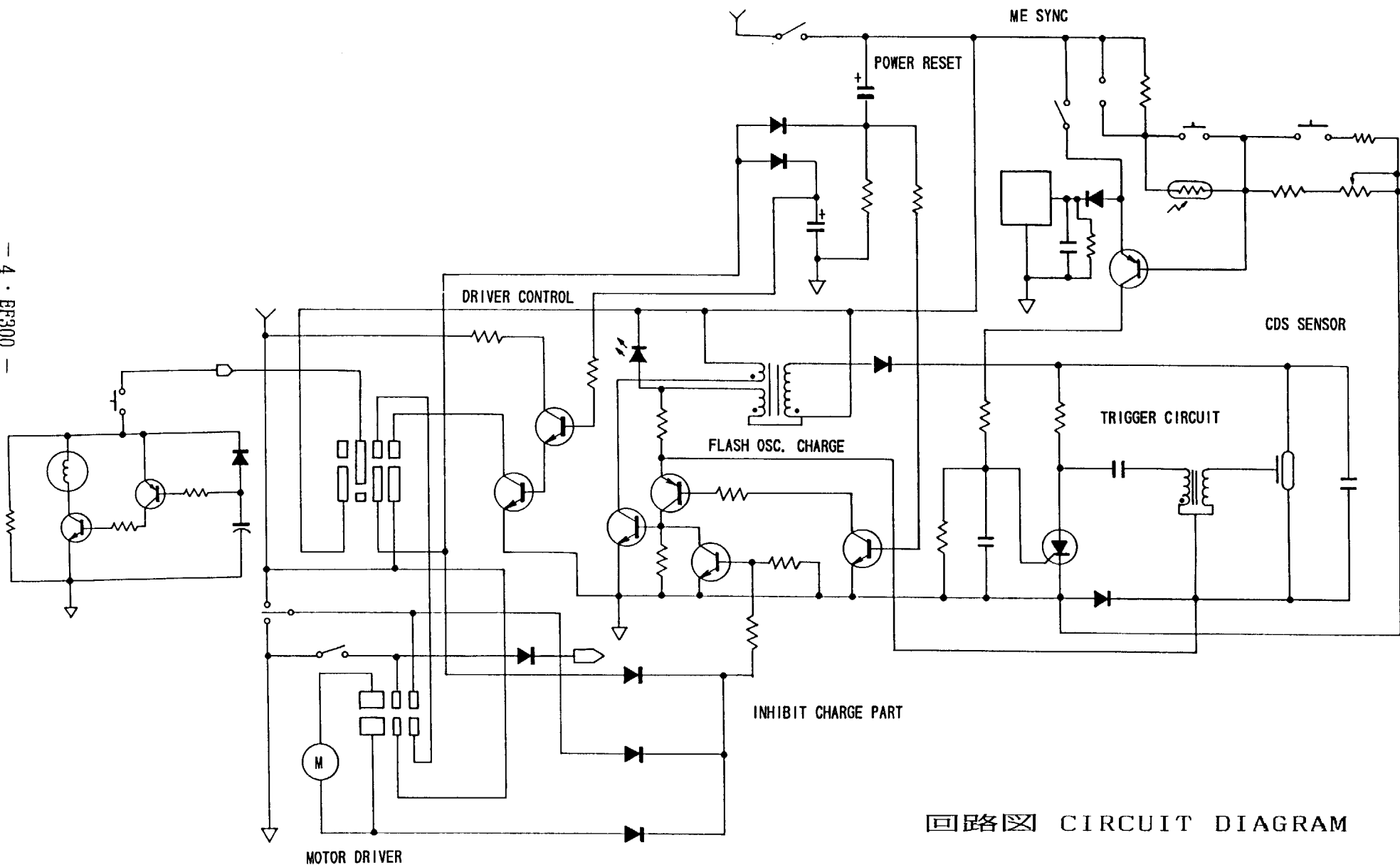


VR3 : Level of Flashing at low brightness

	ISO 100	ISO 400
FIRING	LV 10	LV 9
OFF	LV 12	LV 11

# WIRING DIAGRAM





回路図 CIRCUIT DIAGRAM

作成承認印

配布許可印



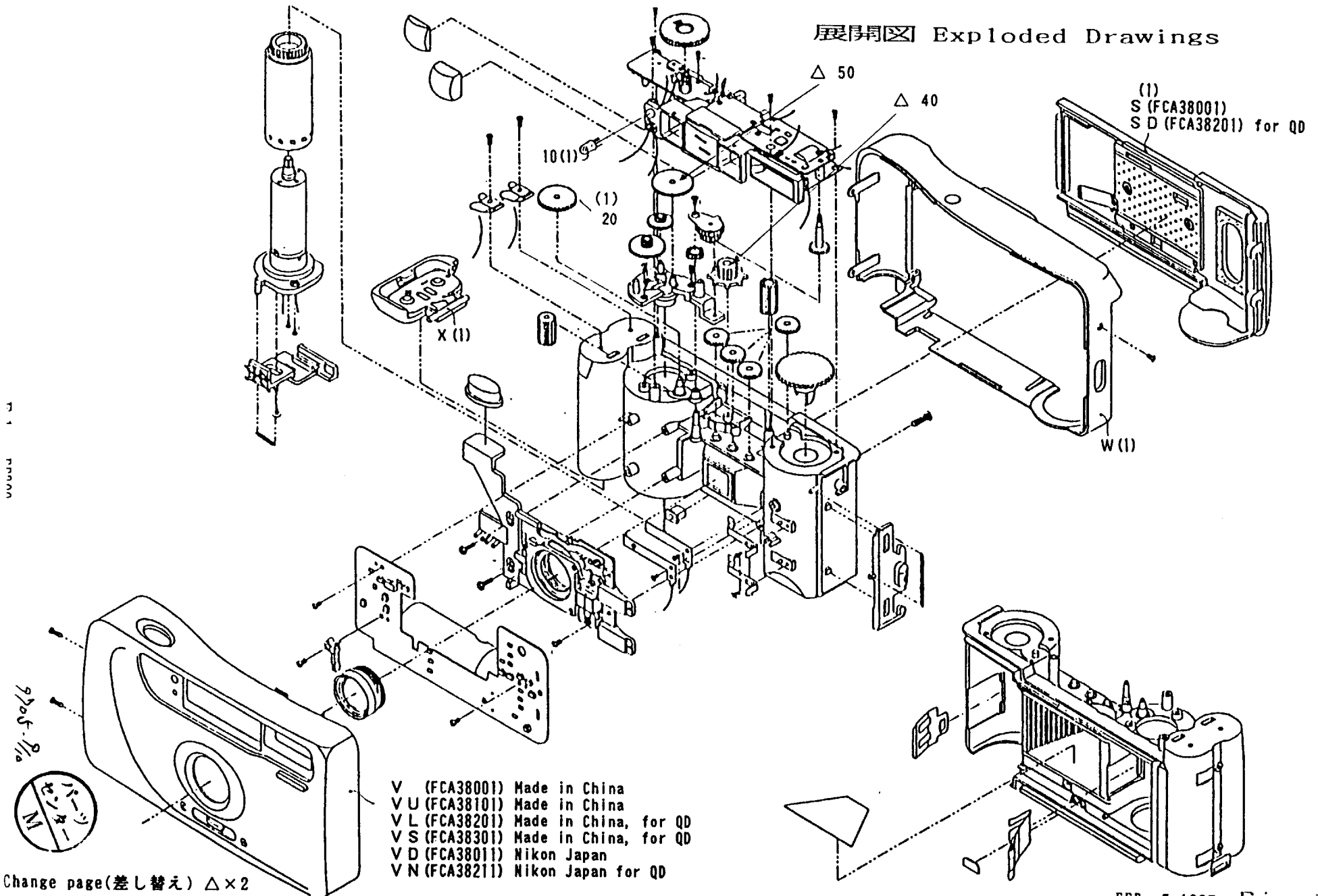
<b>EF 300</b>	<b>FCA 38001</b>
<b>EF 300 QD</b>	<b>FCA 38201</b>
<b>Nice Touch 4</b>	<b>FCA 38101</b>
<b>Nice Touch 4 QD</b>	<b>FCA 38301</b>

## PARTS LIST

**Nikon** | NIKON CORPORATION  
Tokyo, Japan

Copyright © 1996 by Nikon Corporation.  
All Rights Reserved.

展開図 Exploded Drawings



- V (FCA38001) Made in China
- VU (FCA38101) Made in China
- VL (FCA38201) Made in China, for QD
- VS (FCA38301) Made in China, for QD
- VD (FCA38011) Nikon Japan
- VN (FCA38211) Nikon Japan for QD















