


作成承認印	配布許可印
	

**Nikon** Digital Camera E950  
**COOLPIX950**

---

---

MODEL [ J : VAA10601 ]

MODEL [ US/EN : VAA10602 ]

MODEL [ EU : VAA10611 ]

PARTS LIST

修理部品表



NIKON CORPORATION Tokyo Japan

© Copyright 1999  
ALL RIGHT RESERVED  
無断転載を禁ず!!

# Exploded View

Screw ①×4(412-058-8400)

Screw ②×4(411-175-6504)

Screw ④×2(411-176-7005)

Screw ⑤×4(411-177-7103)

Screw ③×2(411-169-9603)

Screw ⑨×1(411-020-0701)

Front Lens Cabinet 21×1(636-053-9488)

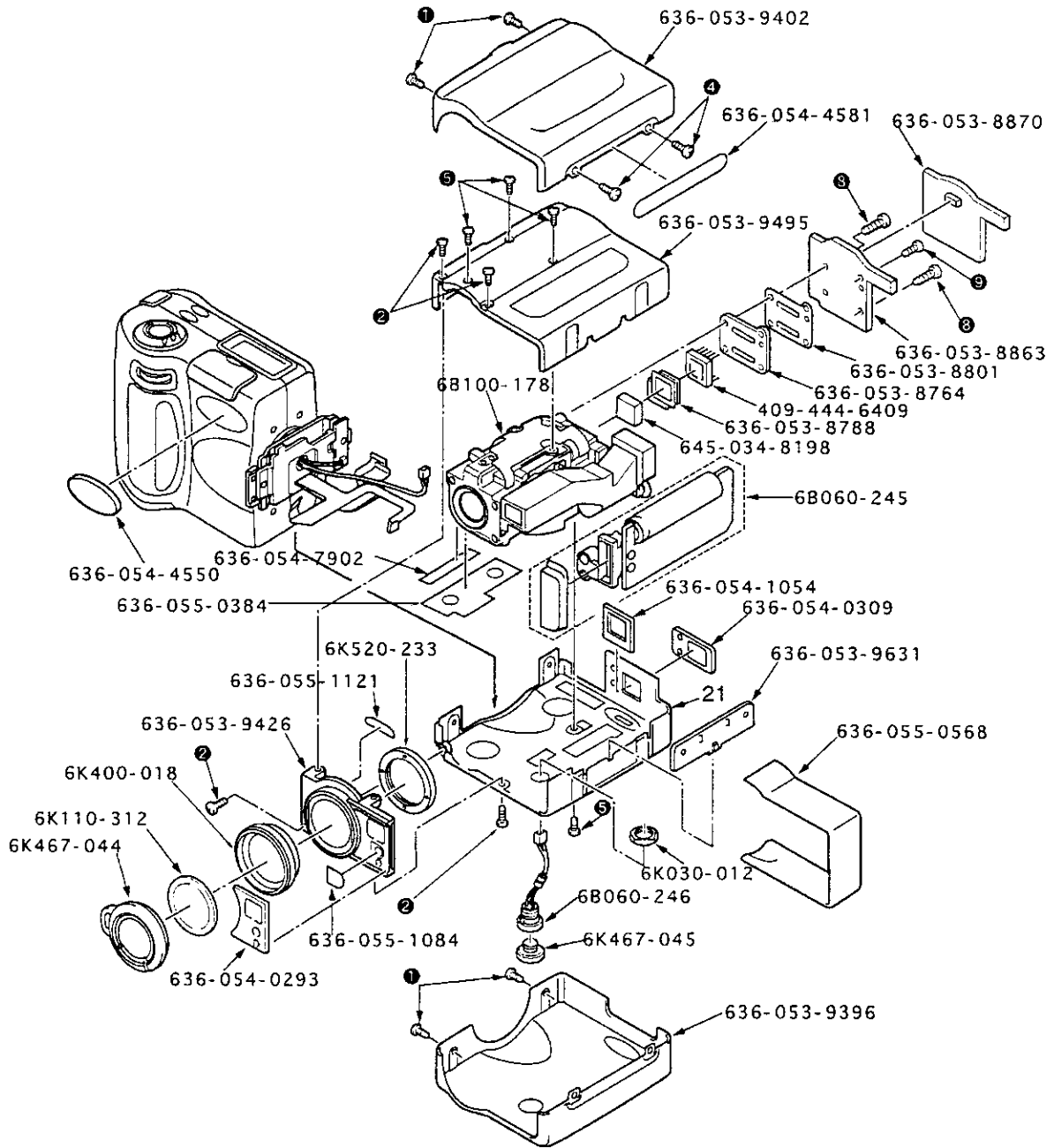


FIG 1

- Screw ❶ × 2 (412-058-8400)
- Screw ❸ × ( 4 1 1 - 1 7 7 - 4 1 0 2 )
- Screw ❹ × 1 (411-176-7005)

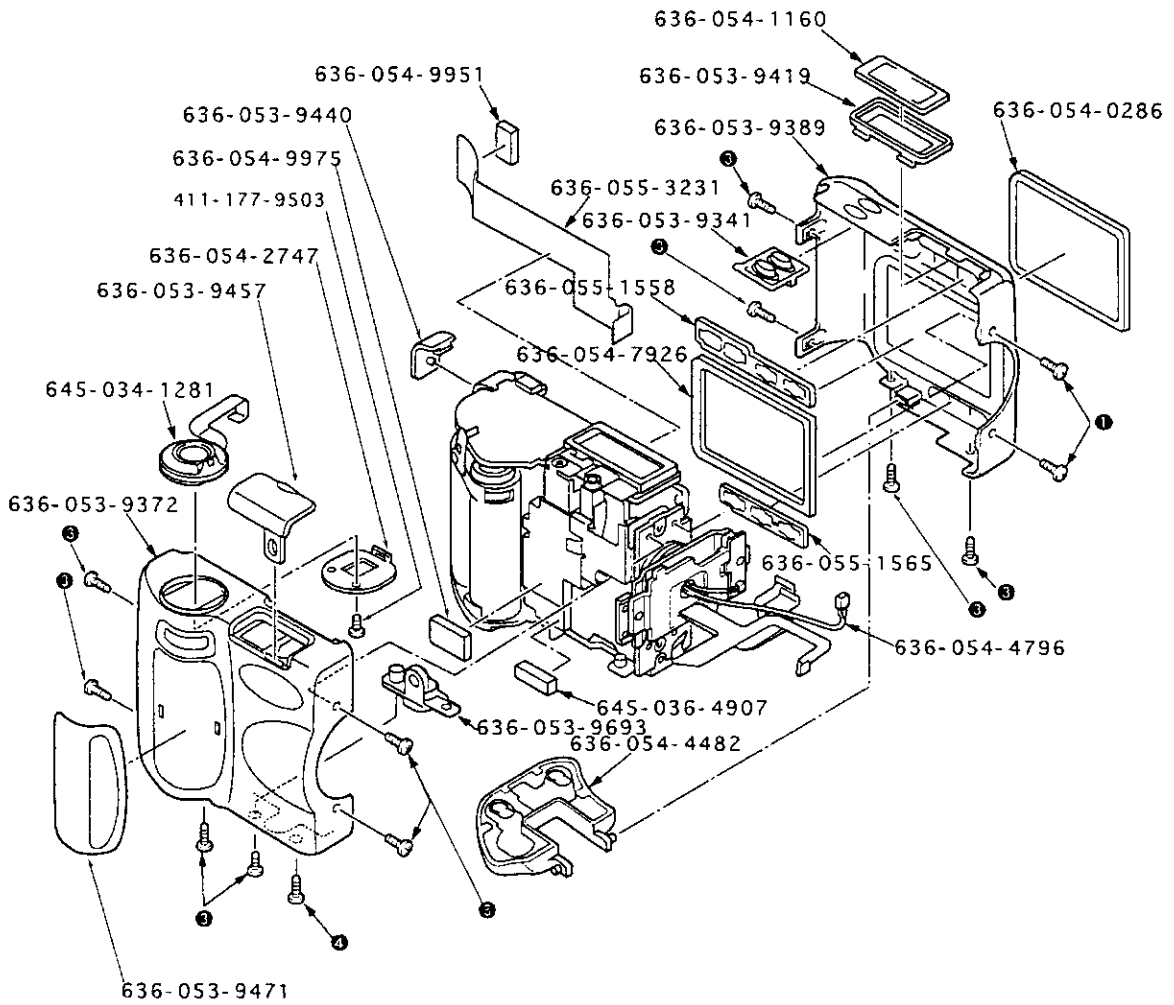


FIG 2

- Screw ②×14(411-175-6504)
- Screw ⑦×3(411-175-3602)
- Screw ⑧×1(411-175-8904)
- Joint Spacer10×1(636-054-1016)

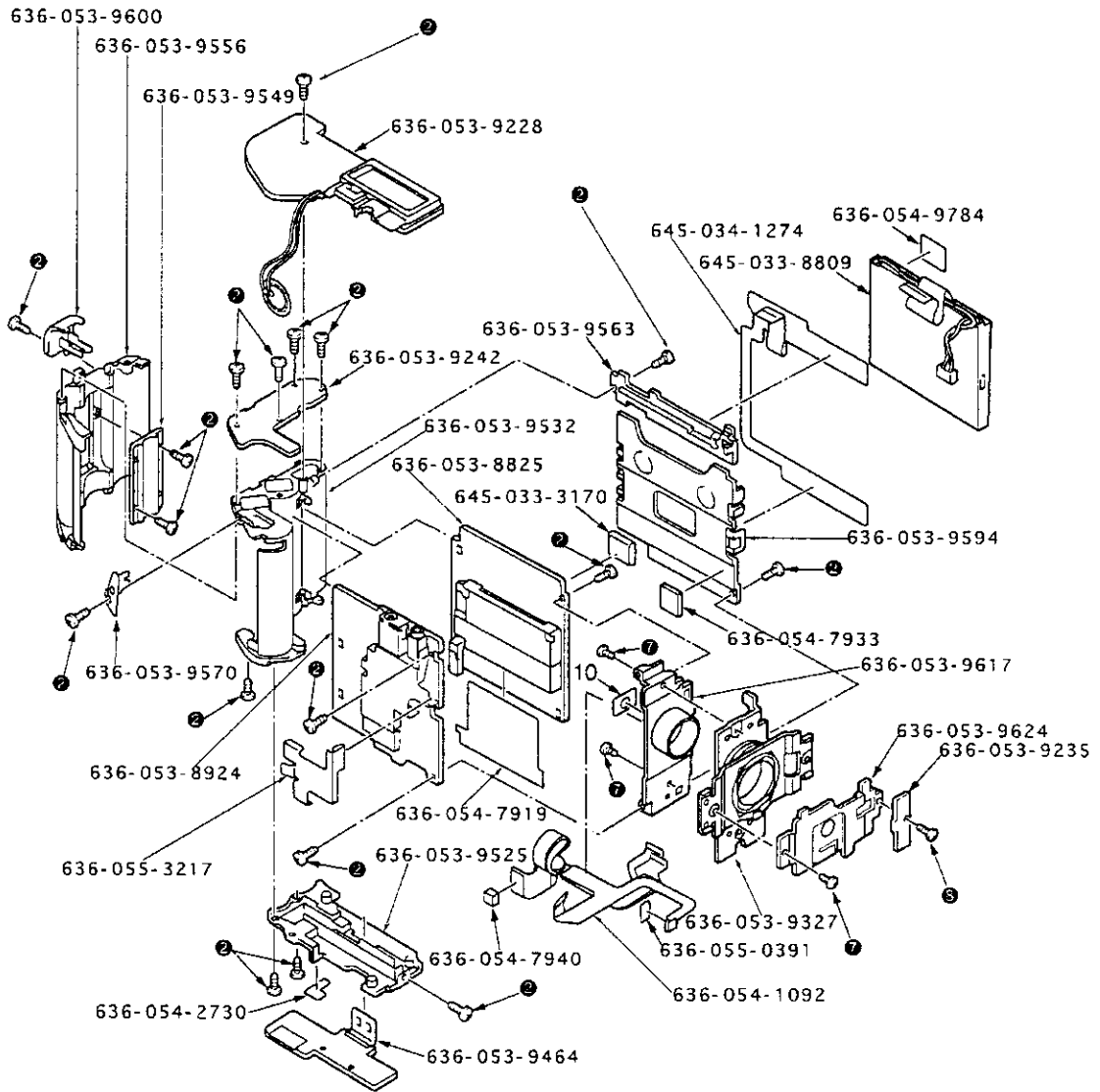


FIG 3

部品表 Parts List

VAA10601-R . A

部品番号 Part No.	補助番号 Ckt No.	名称 Name	1台分 個数 Pcs. Per Unit	部品番号 Assembly No.	参照 図番 Fig. No.	販売区分 Term of Delivery	備考 Remarks	要求単位 Qty per order
409-444-6409		CCDセンサー CCD DEVICE	1		1	○		1
411-020-0701		ネジ 1.7 X 4.0 SCREW 1.7 X 4.0	1		1	○		10
411-169-9603		ネジ 1.7 X 6.0 SCREW 1.7 X 6.0	2		1	○		10
411-175-3602		ネジ 1.7 X 2.0 SCREW 1.7 X 2.0	3		3	○		10
411-175-6504		ネジ 1.7 X 4.0 SCREW 1.7 X 4.0	18		1.3	○		10
411-175-8904		ネジ 1.7 X 3.5 SCREW 1.7 X 3.5	1		3	○		10
411-176-7005		ネジ 1.7 X 5.0 SCREW 1.7 X 5.0	3		1.2	○		10
411-177-4102		ネジ 1.7 X 4.0 SCREW 1.7 X 4.0	10		2	○		10
411-177-7103		ネジ 1.7 X 3.5 SCREW 1.7 X 3.5	4		1	○		10
411-177-9503		ネジ 1.7 X 3.0 SCREW 1.7 X 3.0	1		2	○		10
412-058-8400		特殊ネジ 1.7 X 3.5 SPECIALL SCREW 1.7 X 3.5	6		1.2	○		10
636-053-8764		マウンティングレンズ MOUNTING LENS	1		1	○		1
636-053-8788		スペーサー SPACER	1		1	○		1
636-053-8801		インシュレータスペーサー INSULATOR SPASER	1		1	○		1
636-053-8825		画像制御基板 (CA-3) INAGE CONTROL PCB (CA-3)	1		1	○		1
636-053-8863		CCD基板 (CA-1) CCD PCB (CA-1)	1		1	○		1
636-053-8870		表示LCD基板 (CA-2) DISPLAY LED PCB (CA-2)	1		3	○		1
636-053-8924		電源回路基板 (PW-1) POWER GENERATION PCB (PW-1)	1		3	○		1

部品表 Parts List

VAA10601-R . A

部品番号 Part No.	補助番号 Ckt No.	名称 Name	1台分 個数 Pcs. Per Unit	部組品番号 Assembly No.	参照 図番 FIG. No.	販売区分 Term of Delivery	備考 Remarks	要求単位 Qty per order
636-053-9228		電源回路基板 (PW-1) POWER GENERATION PCB (PW-1)	1		2	○		1
636-053-9235		ストラップホルダー STRAP HOLDER	1		2	○		1
636-053-9242		ボタントップ TOP BUTTON	1		1	○		1
636-053-9327		キャビネットバック CABINET BACK	1		1	○		1
636-053-9341		グリップカバー GRIP COVER	1		1	○		1
636-053-9372		バッテリーカバー BATTERY COVER	1		1	○		1
636-053-9389		グリップカバーA GRIP COVER A	1		1	○		1
636-053-9396		グリップカバーB GRIP COVER B	1		1	○		1
636-053-9402		ジャックカバー JACK COVER	1		1	○		1
636-053-9419		CFカバー CF COVER	1		1	○		1
636-053-9426		レンズ窓カバー LENS SIDE COVER	1		1	○		1
636-053-9440		液晶モニタカバー LCD MONITOR COVER	1		1	○		1
636-053-9457		表示LCDカバー DISPLAY LCD COVER	1		1	○		1
636-053-9464		モニターホルダー MONITOR HOLDER	1		2	○		1
636-053-9471		レンズホルダー LENS HOLDER	1		2	○		1
636-053-9488		バッテリーホルダーA BATTERY HOLDER A	1		2	○		1
636-053-9495		バッテリーホルダーB BATTERY HOLDER B	1		2	○		1
636-053-9525		底カバー BOTTOM COVER HOLDER	1		3	○		1

部品表 Parts List

VAA10601-R

. A

部品番号 Part No.	補助番号 Ckt No.	名称 Name	1台分 個数 Pcs. Per Unit	部組品番号 Assembly No.	参照 図番 Fig. No.	販売区分 Term of Delivery	備考 Remarks	要求単位 Qty per order
636-053-9532		電池ホルダー BATTERY HOLDER	1		2	○		1
636-053-9549		ストラップカバーホルダー STRAP COVER HOLDER	1		3	○		1
636-053-9556		ネックストラップホルダー NECK STRAP HOLDER	1		3	○		1
636-053-9563		バックボタンホルダー BACK BUTTON HOLDER	1		3	○		1
636-053-9570		SY-1ホルダー SY-1 HOLDER	1		3	○		1
636-053-9594		液晶モニタホルダー LCD MONITOR HOLDER	1		3	○		1
636-053-9600		シリアルジャックホルダー SERIAL JACK HOLDER	1		3	○		1
636-053-9617		LCDホルダー LCD HOLDER	1		3	○		1
636-053-9624		レンズホルダー LENS HOLDER	1		3	○		1
636-053-9631		ST-1ホルダー ST-1 HOLDER	1		1	○		1
636-053-9693		スタンド STAND	1		2	○		1
636-054-0286		液晶モニタカバー LCD MONITOR COVER	1		2	○		1
636-054-0293		レンズ窓カバー LENS SIDE COVER	1		1	○		1
636-054-0309		接眼窓カバー EYE PIECE SIDE COVER	1		1	○		1
636-054-1016		ジョイントスペーサー JOINT SPACER	1		3	○		1
636-054-1054		スペーサー SPACER	1		3	○		1
636-054-1092		フレキシブル組 FLEXIBLE ASSY	1		3	○		1
636-054-1160		表示LCDカバー DISPLAY LCD COVER	1		2	○		1

部品表 Parts List

VAA10601-R . A

部品番号 Part No.	補助番号 Ckt No.	名称 Name	1台分 個数 Pcs. Per Unit	部組品番号 Assembly No.	参照 図番 Fig. No.	販売区分 Term of Delivery	備考 Remarks	要求単位 Qty per order
636-0545-2730		電池シール BATTERY SEAL	1		3	○		1
636-054-2747		シャッターホルダー SHUTTER HOLDER	1		2	○		1
636-054-4482		電池蓋 BATTERY COVER	1		2	○		1
636-054-4550		バッジ BADGE	1		1	○		1
636-054-4581		COOLPIX銘板 COOLPIX NAME PLATE	1		1	○		1
636-054-4796		ワイヤ部組(PW1&SB) WIRE PW1 ASSY	1		2	○		1
636-054-7902		FPC押さえテープ TAPE	1		3	○		1
636-054-7919		CFスペーサー CF SPACER	1		3	○		1
636-054-7926		液晶モニタスペーサ LCD MONITOR SPACER	1		2	○		1
636-054-7933		液晶モニタホルダスペーサ LCD MONITOR HOLDER SPACER	1		2	○		1
636-054-7940		FPCスペーサー FPC SPACER	1		3	○		1
636-054-9784		液晶モニタカバースペーサ LCD MONITOR COVER SPACER	1		3	○		1
636-054-9951		放熱ゴムB HEAT SINK RUBBER B	1		2	○		1
636-054-9975		放熱ゴムD HEAT SINK RUBBER D	1		2	○		1
636-055-0384		シールドテープ SHIELD TAPE	1		1	○		1
636-055-0391		シールドテープ SHIELD TAPE	1		3	○		1
636-055-0568		シールドテープ SHIELD TAPE	1		1	○		1
636-055-1084		ランプ窓カバー LAMP COVER	1		1	○		1



部品表 Parts List

VAA10601-R . A

部品番号 Part No.	補助番号 Ckt No.	名称 Name	1台分 個数 Pcs. Per Unit	部組品番号 Assembly No.	参照 図番 Fig. No.	販売区分 Term of Delivery	備考 Remarks	要求単位 Qty per order
636-055-1121		スペーサー SPACER	1		1	○		1
636-055-1558		バックボタンA部組 BACK BUTTON A ASSY	1		2	○		1
636-055-1565		バックボタンB部組 BACK BUTTON B ASSY	1		2	○		1
636-055-3217		アースPW-A ジョイント EARTH PW-1 JOINT	1		3	○		1
636-055-3231		シールドテープ SHIELD TAPE	1		2	○		1
645-033-3170		パッド (L=L.3) PAD (L=L.3)	1		3	○		1
645-033-8809		LCD LCD	1		3	○		1
645-034-1274		プッシュスイッチ PUSH SWITCH	1		3	○		1
645-034-1281		スライドスイッチ SLIDE SWITCH	1		2	○		1
645-034-8198		光学フィルタ OPTICAL FILTER	1		1	○		1
645-036-4907		パッド(L=L.5) PAD (L=L.5)	1		2	○		1
6B060-245		フラッシュユニット FLASH UNIT	1		1	○		1
6B060-246		ターミナルユニット TERMINAL UNIT	1		1	○		1
6B100-178		光学ユニット部組 OPTICAL ASSY	1		1	○		1
6K030-012		特殊ナット SPECIAL NUT	1		1	○		1
6K110-312		レンズ保護カバー LENS PROTECTION COVER	1		1	○		1
6K400-018		リング RING	1		1	○		1
6K467-044		レンズキャップ LENS CAP	1		1	○		1

部品表 Parts List

VAA10601-R . A

部品番号 Part No.	補助番号 Ckt No.	名称 Name	1台分 個数 Pcs. Per Unit	部品番号 Assembly No.	参照 図番 Fig No.	販売区分 Term of Delivery	備考 Remarks	要求単位 Qty per order
6K467-045		ターミナルキャップ TERMINAL CAP	1		1	○		1
6K520-233		押さえ環 HOLDER RING	1		1	○		1

部品表 Parts List

VAA10602-R

. A

部品番号 Part No.	補助番号 Ckt No.	名称 Name	1台分 個数 Pcs. Per Unit	部組品番号 Assembly No.	参照 図番 Fig. No.	販売区分 Term of Delivery	備考 Remarks	要求単位 Qty per order	
636-053-8825		画像制御基板 (CA-3) (U) IMAGE CONTROL PCB (CA-3) (U)	1		2	○			
		その他の部品はVAA10601と共通です。							
		OTHER PARTS ARE SAME TO VAA10601							

部品表 Parts List

VAA10611-R . A

部品番号 Part No.	補助番号 Ckt No.	名称 Name	1台分 個数 Pcs. Per Unit	部組品番号 Assembly No.	参照 図番 Fig No.	販売区分 Term of Delivery	備考 Remarks	要求単位 Qty per order
636-053-8849		画像制御基板 (CA-3) PAL IMAGE CONTROL PCB (CA-3) PAL	1		3	○		
		その他の部品はVAA10601と共通です。						
		OTHER PARTS ARE SAME TO VAA10601						

# The contents of inspection standards and tools for E950

[1] Inspection standards : R1 to R7

[2] Tools : T1

Conditions to be set and prepared for inspections

1. Physical stance to measure :

On the applicable product, its lens shall be set flat and its monitor shall be set to vertically stand up.

2. Room temperature and constantly controlled humidity :

$25 \pm 5^{\circ}\text{C}$

Relative humidity :  $65 \pm 20 \%$

3. Battery to be employed :

If not specified, Sanyo-manufactured alkaline AA-sized battery which is manufactured within four months from the manufacturing date shall be recommendable to use.

4. Standard power supply :

Specified AC power supply EH-30 shall be required.

## [1] Inspection standards

	Item	Benchmark	Applied tool(s)
External view	Gap / Difference in height	<ul style="list-style-type: none"> <li>- When closing the battery cover, a gap between the cover and the body shall be less than 0.5 mm.</li> <li>- Gaps on the body shall be less than 0.3 mm.</li> </ul> Difference in height between the body and the cover shall be less than 0.3mm. Check the condition by loading a battery and closing the cover.	Vernier caliper
		<ul style="list-style-type: none"> <li>- Any conspicuous scratch(es) or dirt shall not be required.</li> </ul> Check it by naked eyes under fluorescent lamp or natural sunshine.	
Operability / Operation mode	Operability ; Button(s)	<ul style="list-style-type: none"> <li>- While operating, any irregularities / malfunctions shall not be required.</li> </ul> No cave-ins of the buttons shall be required.	battery
	Operational mode	<ul style="list-style-type: none"> <li>- While operating, any irregularities or irregular noise shall not be required.</li> </ul> Check it by shaking the camera while operating, or by intentionally lightly hitting the camera on to the linoleum-laid desk while operating.	battery
	On the lever, knob, command dial	<ul style="list-style-type: none"> <li>- When clicking, normal touch shall be required.</li> </ul> Any outstanding 'caught-in-mechanism' touch or 'rubbed-in-mechanism' touch shall not be required. Check and observe the condition through normal operation.	battery
	Operation touch	<ul style="list-style-type: none"> <li>- While operating, any irregular conditions shall not be required.</li> </ul>	
Each cover	<ul style="list-style-type: none"> <li>- Opening / closing each cover shall be smoothly made.</li> </ul>		
Monitor	Shooting image	<ul style="list-style-type: none"> <li>- Inclined degree of image shall be less than 0.5 degree.</li> </ul>	Photo-shop, Printer
Lens capacity	Focal distance ; Wide 7.2 mm	<ul style="list-style-type: none"> <li>- Wide-end position</li> <li>- 7.2 mm <math>\pm</math> 5 %</li> </ul>	Dedicated tool(s)
	Value 20.4 mm	<ul style="list-style-type: none"> <li>- Tele-end position</li> <li>- 20.4 mm <math>\pm</math> 5 %</li> </ul>	
	Open aperture F No. ; Wide F2.4	<ul style="list-style-type: none"> <li>- Wide-end position</li> <li>- F2.8 mm <math>\pm</math> 7 % ;</li> <li>Tele-end position</li> </ul>	
	Tele F3.69	<ul style="list-style-type: none"> <li>- F4.3 mm <math>\pm</math> 8 %</li> </ul>	

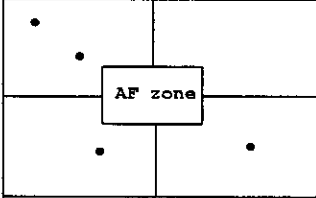
	Item	Benchmark	Applied tool(s)
	Resolu-tion	<ul style="list-style-type: none"> <li>- Center : More than 120 lines / mm</li> <li>- Y = 3 : More than 80 lines / mm</li> <li>- Fixed point : 1.5 m</li> </ul>	Lens barrel unit
Lens barrel	Driving noise	<ul style="list-style-type: none"> <li>- Induction evaluation : Any irregular noises shall not be required. Check it by listening to the operation noise in the macro mode.</li> </ul>	Regula-ted voltage power supply, stop watch
	Timing to switch	<ul style="list-style-type: none"> <li>- For both directions of 'Wide to Tele' and 'Tele to Wide', it shall take <math>2.4 \pm 0.2</math> mm.</li> </ul>	
	Driving current	<ul style="list-style-type: none"> <li>- It shall be less than 300 mA.</li> </ul>	
AF	Focus lock	<ul style="list-style-type: none"> <li>It shall be operated. Check it by lightly pressing the shutter release button from any distance, shifting the camera to any other subject and then observing the monitor.</li> </ul>	
	Command infinite focus mode	<ul style="list-style-type: none"> <li>- Both the distance view mark and the flash cancel mark shall appear on the LCD. Check it by setting to the command infinite focus mode and light pressing the shutter release button.</li> <li>- The speed light shall not work. Check it by releasing the shutter in the command infinite focus mode.</li> </ul>	
	LED blinking for impossibility in metering	<ul style="list-style-type: none"> <li>- The LED shall blink in 8 Hz after lightly pressing the shutter release button. Check it by lightly pressing the shutter release button.</li> </ul>	Visual check
Shootig with a speed light	<ul style="list-style-type: none"> <li>Guide No. ; Full</li> <li>Soon after flashing</li> </ul>	<ul style="list-style-type: none"> <li>- <math>9 \pm 0.4</math> EV</li> <li>- It shall be more than 6.5 EV ; After charging for 18 sec. by a fully charged fresh battery, measure the guide No. within 1 sec. Then, in the speed of 2 times per sec., the shutter shall be released three times. Measure each lowest value at releasing the shutter. Then, confirm that the lowest value is more than 6.5 EV.</li> </ul>	Flash meter, fully charged fresh battery

	Item	Benchmark	Applied tool(s)
	<p>Light distribution characteristics</p> <p>Luminosity at flashing</p>	<p>- In the setting conditions of 'more than 60 degree vertically' and 'more than 50 degree horizontally', the allowable drop in brightness shall be within 0.5 EV'.</p> <p>- Auto mode : Tv = 1/30 ± 0.5 TV at The Wide-end position ; Measure the guide No. and then compare it to the center's.</p> <p>- The distance shall be taken 2 m.</p> <p>- While changing the luminous level of tester, read the flashing period in sec.</p>	
	Red-eye reduction lamp	Except the self-timer blinking, it shall not be turned on for any other functions / modes. While changing the mode, check that the lamp does not work.	
	Recycle time	As a series of measuring the recycle time between 'the end of third flashing' and 'the fourth flashing', follow the procedures below. Spend 2 sec. as a recycle time between 'the end of second flashing' to 'the third flashing'. Then, release the shutter for the third flash and measure the recycle time from 'after the third shutter release' to 'the moment of fourth shutter release'. Then, the recycle time shall be within 6 sec.	
	The shutter unable to release	While lightly pressing the shutter release button, the red LED shall blink. Then, the shutter shall not be released. Unless it is in flashing mode, or the charged condition is not enough, LED blinking mode and shutter release lock can not work.	
	Flash	In response to any button operations for some functions, light impact from outside, or shutter release, unexpected flashing shall not be required.	

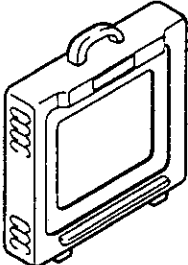
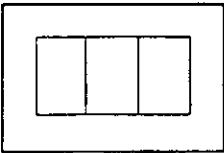
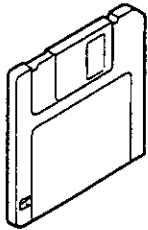
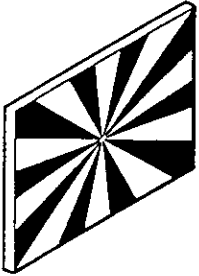


	Item	Benchmark	Applied tool(s)
Quality of image	Resolution	<p>- The solution shall be in compliance with the following values.</p> <p>- Horizontal center : 900 lines Vertical center : 900 lines Horizontal line(s) at each corner : 600 lines Vertical line(s) at each corner : 600 lines</p> <p>In the setting conditions of 'Fine as the quality of image', 'Manual white balance under the fluorescent light', 'Center-weighted metering / Open aperture', '0.5 m of a distance from the chart' and equipping the 5100K viewer, a subject shall be taken in the full range of angle of view.</p> <p>Then, its recorded image data file shall be opened by the dedicated software Photoshop, and its solution level shall be judged by observing.</p>	EIAJ chart
Quality of image	Gradation and luminous level	<p>&lt;Histogram gray average value(s)&gt; Black : <math>8 \pm 5</math> Gray : <math>130 \pm 10</math> White : <math>205 \pm 15</math></p> <p>How to check :</p> <p>In the setting conditions of 'Fine as the quality of image', 'Manual white balance under the fluorescent light', 'Center-weighted metering / Open aperture', '0.5 m of a distance from the chart' and equipping the 5100K viewer, take a subject in the full range of angle of view.</p> <p>Then, open the recorded image data file through the dedicated software Photoshop.</p> <p>Using the Marquee tool (M), pick up the image's central area 64 X 64 picture element, and read each colour's value through the histogram.</p> <p>Then, each value shall be within the values advised above.</p>	5100K viewer, ITE $\gamma$ 0.45 scale, Photoshop

	Item	Benchmark	Applied tool(s)																																
Capacity of image	Noise	<p>&lt;Histogram gray standard deflection(s)&gt;</p> <ul style="list-style-type: none"> <li>- Gray noise : Less than 3.0</li> <li>- Black noise : Less than 4.0</li> </ul> <p>Gray from the histogram, and the gray's basic deflection shall be read.</p> <ul style="list-style-type: none"> <li>- Where to measure :</li> </ul> <p>For luminous level :</p> <ul style="list-style-type: none"> <li>- Upper, 1<sup>st</sup> from left : Black,</li> <li style="padding-left: 20px;">Upper, 6<sup>th</sup> from left : Gray</li> <li>- Center : White</li> <li>- Lower, 6<sup>th</sup> from left : Gray,</li> <li style="padding-left: 20px;">Lower, 11<sup>th</sup> from left : Black</li> </ul> <p>For noise :</p> <ul style="list-style-type: none"> <li>- Upper, 2<sup>nd</sup> from left : Black,</li> <li style="padding-left: 20px;">Upper, 6<sup>th</sup> from left : Gray</li> <li>- Lower, 6<sup>th</sup> from left : Gray,</li> <li style="padding-left: 20px;">Lower, 10<sup>th</sup> from left : Black</li> </ul>	5100K viewer, ITE $\gamma$ 0.45 scale, Photoshop																																
	The center of image being out of position	When shooting using the fish-eye lens, no vignetting or shading mode shall be required in the angle of 183 degree.	Standard fish-eye lens converter																																
	Play-back of colour (s)	<table border="1" data-bbox="561 900 1179 1236"> <thead> <tr> <th></th> <th>R</th> <th>G</th> <th>B</th> </tr> </thead> <tbody> <tr> <td>W</td> <td>127~155</td> <td>148~180</td> <td>164~200</td> </tr> <tr> <td>Ye</td> <td>123~146</td> <td>158~193</td> <td>11~13</td> </tr> <tr> <td>Cy</td> <td></td> <td></td> <td></td> </tr> <tr> <td>G</td> <td></td> <td></td> <td></td> </tr> <tr> <td>Mg</td> <td></td> <td></td> <td></td> </tr> <tr> <td>R</td> <td>140~170</td> <td>7~9</td> <td>0~2</td> </tr> <tr> <td>B</td> <td></td> <td></td> <td></td> </tr> </tbody> </table> <ul style="list-style-type: none"> <li>- Set the conditions of 'Fine as the quality of image', 'Manual white balance under the fluorescent light', and 'Center-weighted metering'.</li> <li>- Equip the chart with the 5100K viewer and take a subject in the full range of angle of view. Then, open the recorded image data file through the dedicated software Photoshop. Using the Marquee tool (M), pick up the image's central area 64 X 64 picture element, and read the histogram's RGB.</li> </ul>		R	G	B	W	127~155	148~180	164~200	Ye	123~146	158~193	11~13	Cy				G				Mg				R	140~170	7~9	0~2	B				Colour bar chart
	R	G	B																																
W	127~155	148~180	164~200																																
Ye	123~146	158~193	11~13																																
Cy																																			
G																																			
Mg																																			
R	140~170	7~9	0~2																																
B																																			
Finder	Operation mode, zoom  Diopter adjust-ment	<ul style="list-style-type: none"> <li>- Only smooth operation mode shall be required. 'Caught-in-mechanism' touch or any unstable or unsteadily zooming mode shall not be required.</li> <li>- It shall stop at anywhere defined. Capacity : <math>100 \pm 50</math> gf Check it by driving the dial for diopter adjustment.</li> </ul>																																	

	Item	Benchmark	Applied tool(s)
Finder	Dust, fluff, scratch(es)	<ul style="list-style-type: none"> <li>- Any dust / fluff / scratch(es) shall not exceed the half width of lines in the focus frame. Any of them shall not be conspicuous either.</li> <li>- Any dust / fluff / scratch(es) shall not exceed the width of lines, nor be conspicuous.</li> <li>- In case of anything where the conditions above can not apply, follow the conditions below.</li> </ul> <div style="text-align: center; margin: 10px 0;">  </div> <ul style="list-style-type: none"> <li>- Divide the finder into 5 areas as shown above and count the quantity of dust / fluff / scratch(es) in the AF zone.</li> <li>- In each area, there shall be less 2 pieces of them. As the total quantity of dust / fluff / scratch(es), 4 pieces or less shall be desirable. In the AF zone, 0 pieces of such dust / fluff / scratch(es) shall be desirable.</li> </ul>	Visual check
LCD, and others	Monitor LCD - External view  - Field of view	<ul style="list-style-type: none"> <li>- No vignetting or shading on the LCD shall be required.</li> <li>- Inclination between the monitor and the monitor frame shall not be so outstanding.</li> <li>- Through-the-monitor image : 96 to 100 %</li> <li>- Play-back image : 98 to 100 %</li> </ul>	Visual check
	Self-timer ; Working period  Light blinking  Cancel of the self-timer	<ul style="list-style-type: none"> <li>- 10 ± 3 sec. / 3 ± 1 sec.</li> <li>- Blinking for 9 sec. and then lighting for 1 sec.</li> <li>- Prior to releasing the shutter : By turning off either the AF switchover switch or the select dial, the self-timer can be cancelled.</li> <li>- After releasing the shutter : By turning off the select dial, it can be cancelled. Be sure to check the turn-off condition after canceling it.</li> </ul>	Visual check, stop watch

	Item	Benchmark	Applied tool(s)
Electrical characteristics	For consumption current ; Stand-by  Start-up	<p>- Less than 0.3 mA while turning off the main power switch. Less than 0.35 mA while sleeping. Supply 6.5V from the regulated voltage power supply to the camera, and measure the consumption current value after 12 hours from the time of supplied.</p> <p>- Select 'A-REC' from the select dial and check that any image appears on the LCD. Then, leave it for 15 sec. or a bit longer and then measure the consumption current value. The value shall be less than 1A.</p>	Regulated voltage power supply, current meter
Electrical characteristics	For B.C. voltage ; Level 1  Level 2  Level 3	<p>4.7 ± 0.2 V</p> <p>4.25 ± 0.25 V ; The battery mark blinks ; While lowering the power supply voltage, lightly press the shutter release button. Then, when the battery mark appears on the LCD, measure the voltage.</p> <p>4.23 ± 0.2 V ; The LCD is turned off / The shutter release mode is locked ; While lowering the power supply voltage, lightly press the shutter release button. Then, when the LCD is turned off, measure the voltage.</p>	Regulated voltage power supply

工具一覧表		Tool List	
工具番号 Tool No	名 称 Name	略 図 Illustration	備 考 Remarks
J63049 (100Volts) J63050 (110Volts) J63051 (230Volts) J63052 (240Volts)	カラービューア 5100 K Colour Viwer 5100 K		E900 E910 E950 E700 共通 Common
J63056	色調整用チャート Chart for Colour Adjustment		E900 E910 E950 E700 共通 Common
J65030	キャリブレーションソフト Calibration Software		E950 E700 共通 Common
サービスマニュアル添付 Attached in Service Manual	ジーメンスチャート Siemens star chart		E900 E910 E950 E700 共通 Common

# Siemens star chart

