


作成承認印	配布許可印
	

Nikon F-601 AF FAA24051

N6006 FAA24151

F-601 AF FAA24251
 QUARTZ DATE

PARTS LIST (REVISED-1)

修理部品表 (改訂-1)

Nikon | NIKON CORPORATION
 Tokyo, Japan

© Copyright 1994
 ALL RIGHTS RESERVED
 無断転載を禁ず!!

Feb. 17, 1994

Printed in Japan February

シャッター一部
Shutter

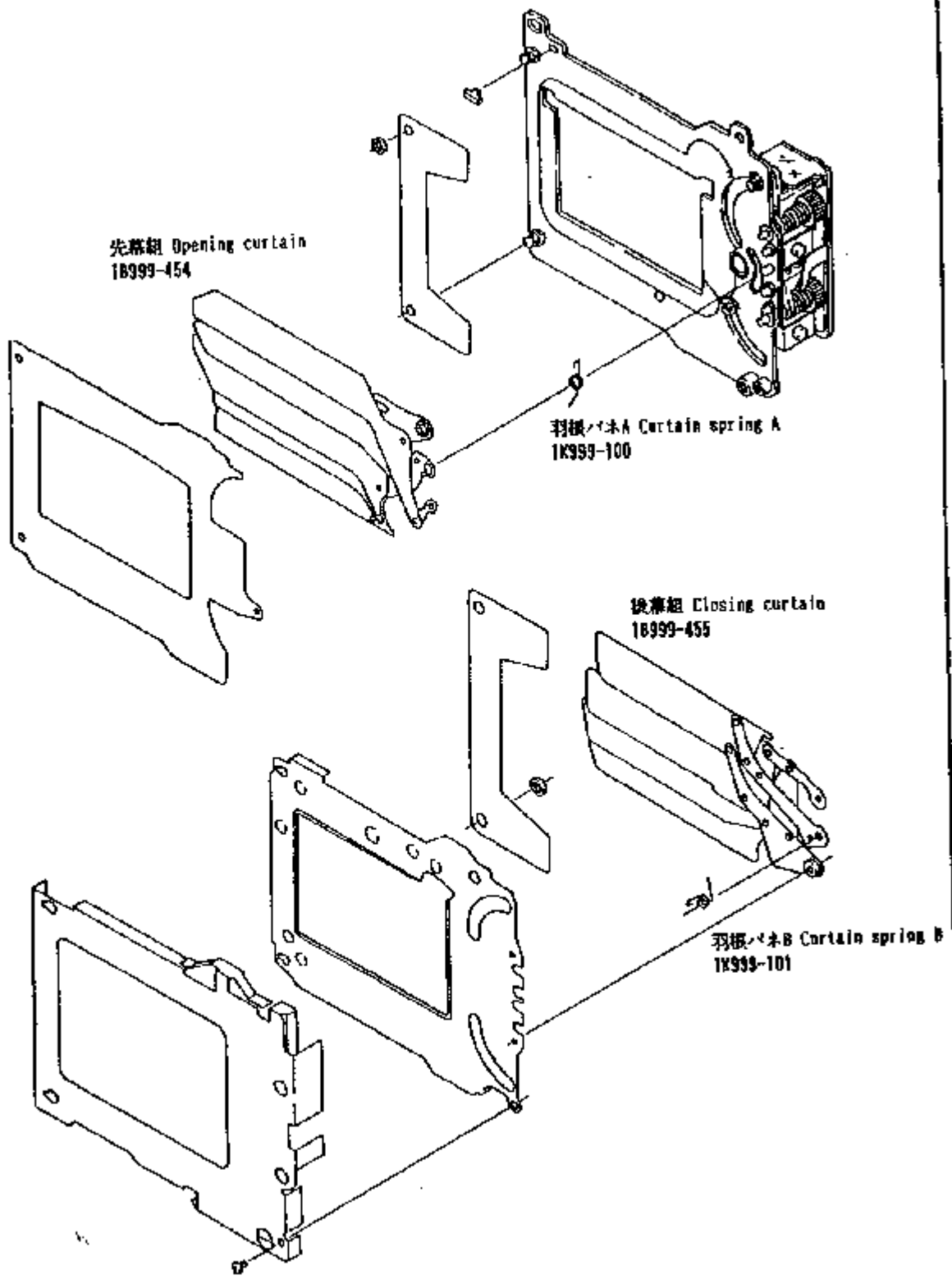
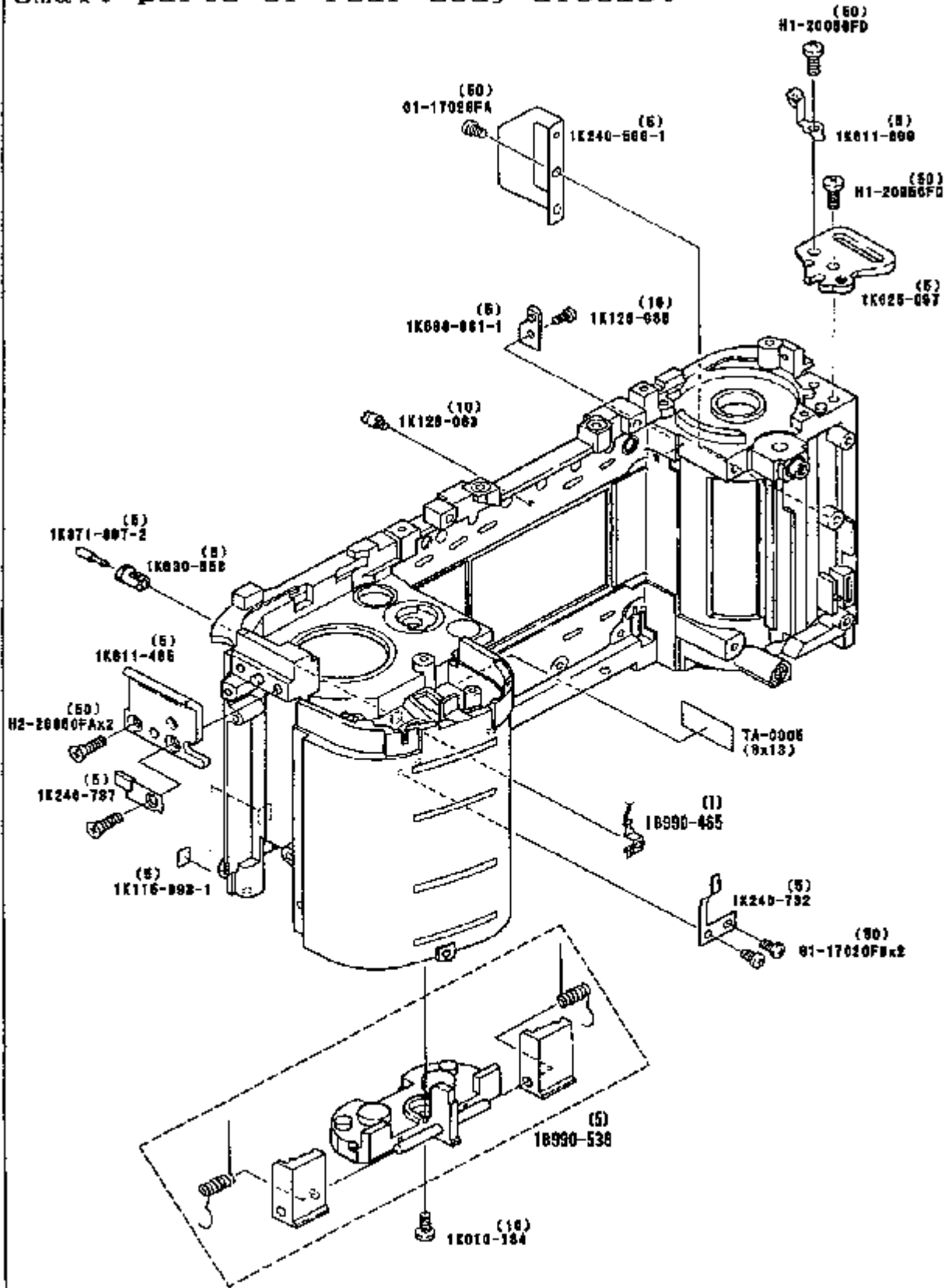


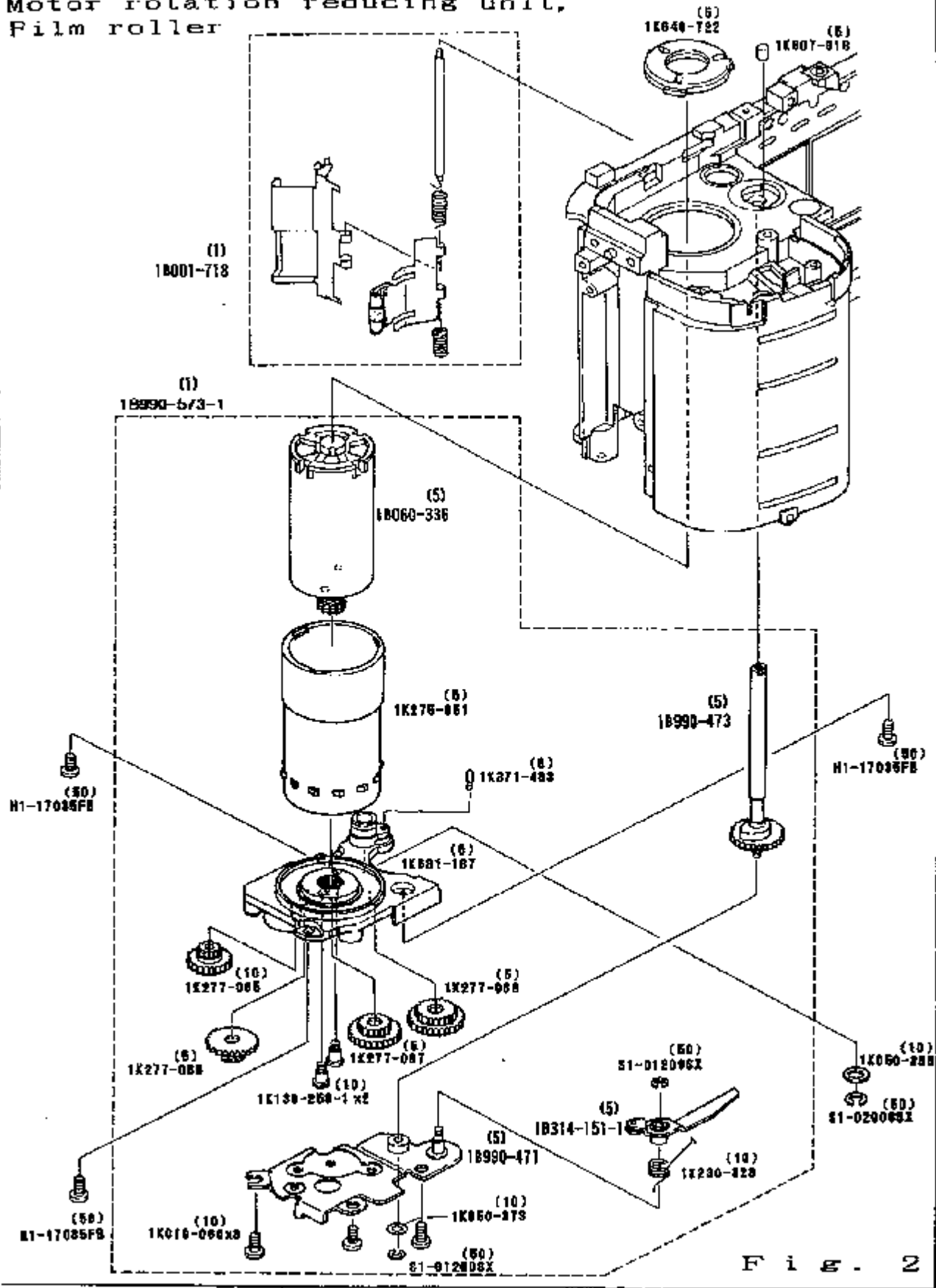
Fig. 0

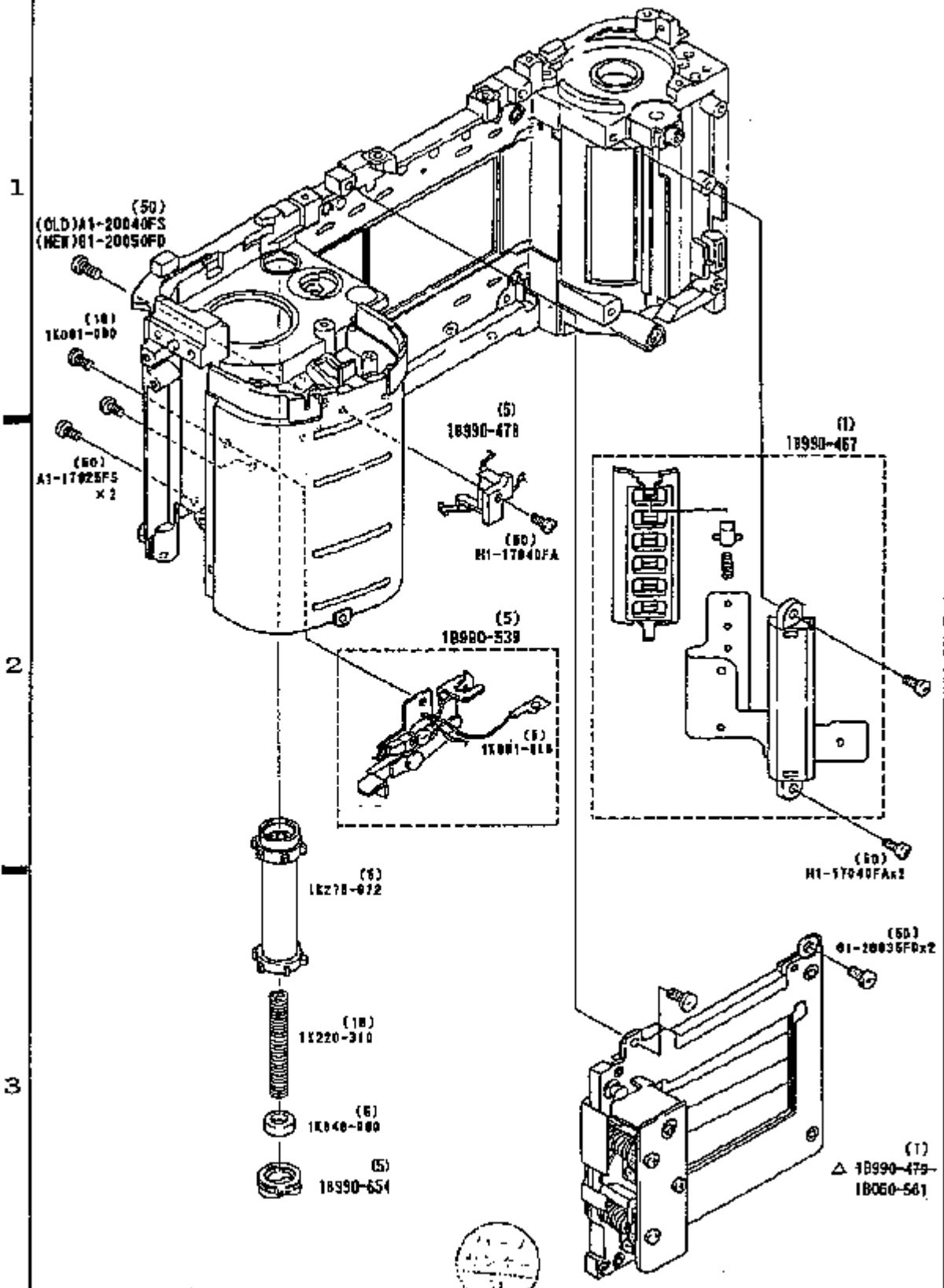
Small parts of rear body diecast



F i g . 1

Motor rotation reducing unit,
Film roller





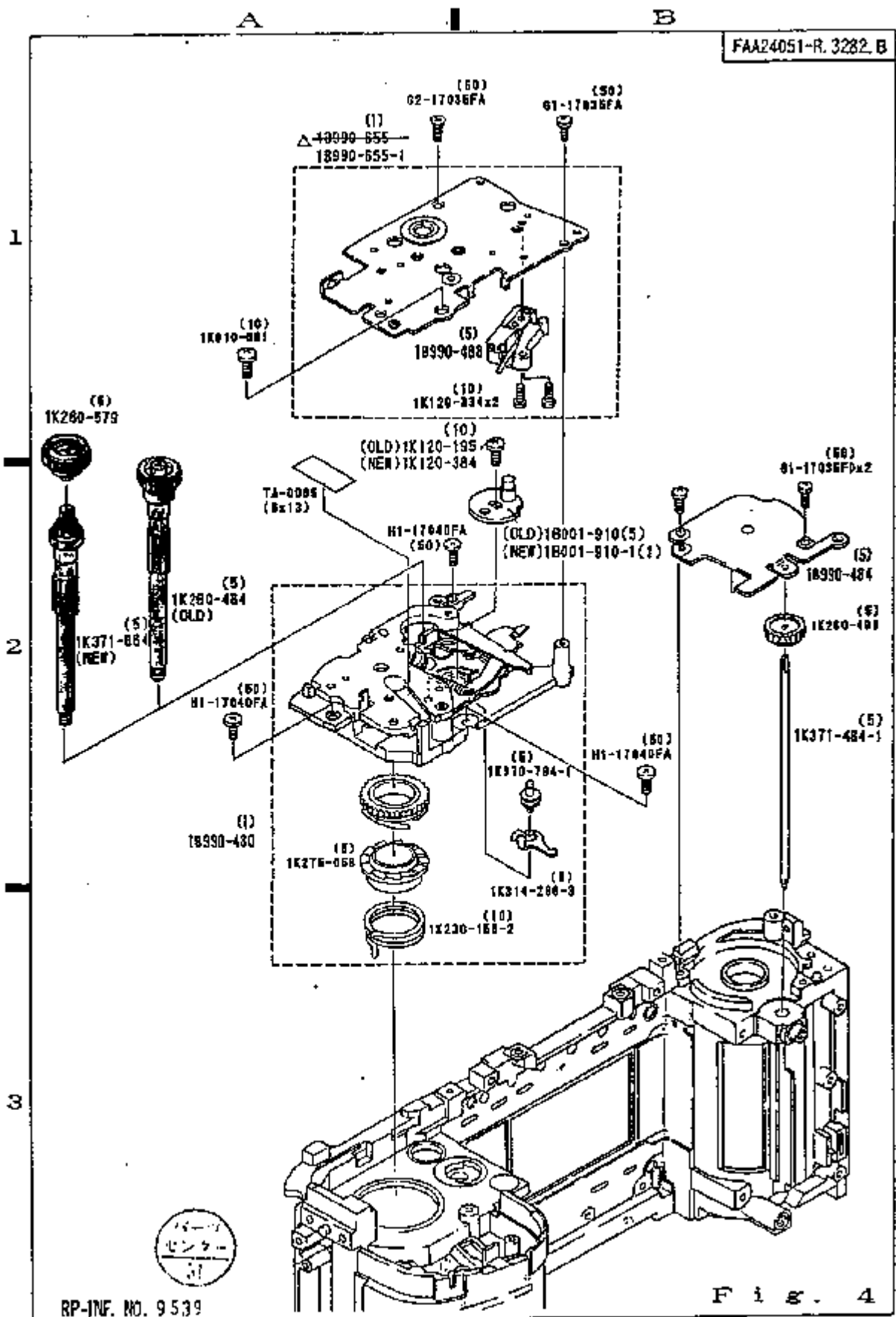
RP-III, NO. 9535

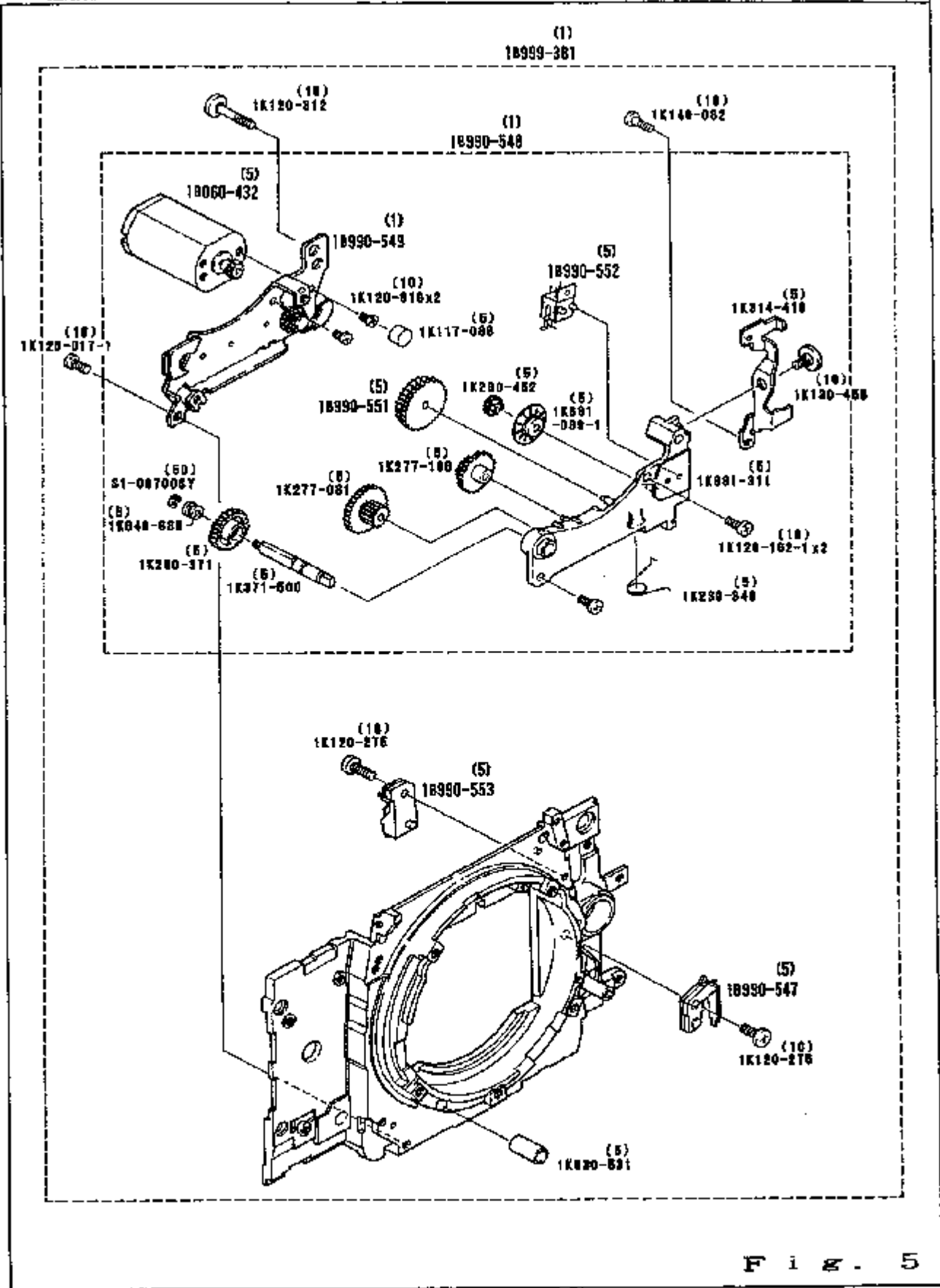
Fig. 3

Change Part(替り替え) △ x 1

- F 3 - F-601 -

Apr. 18, 1995





Bayonet, Lens contact

(1)
1B999-381

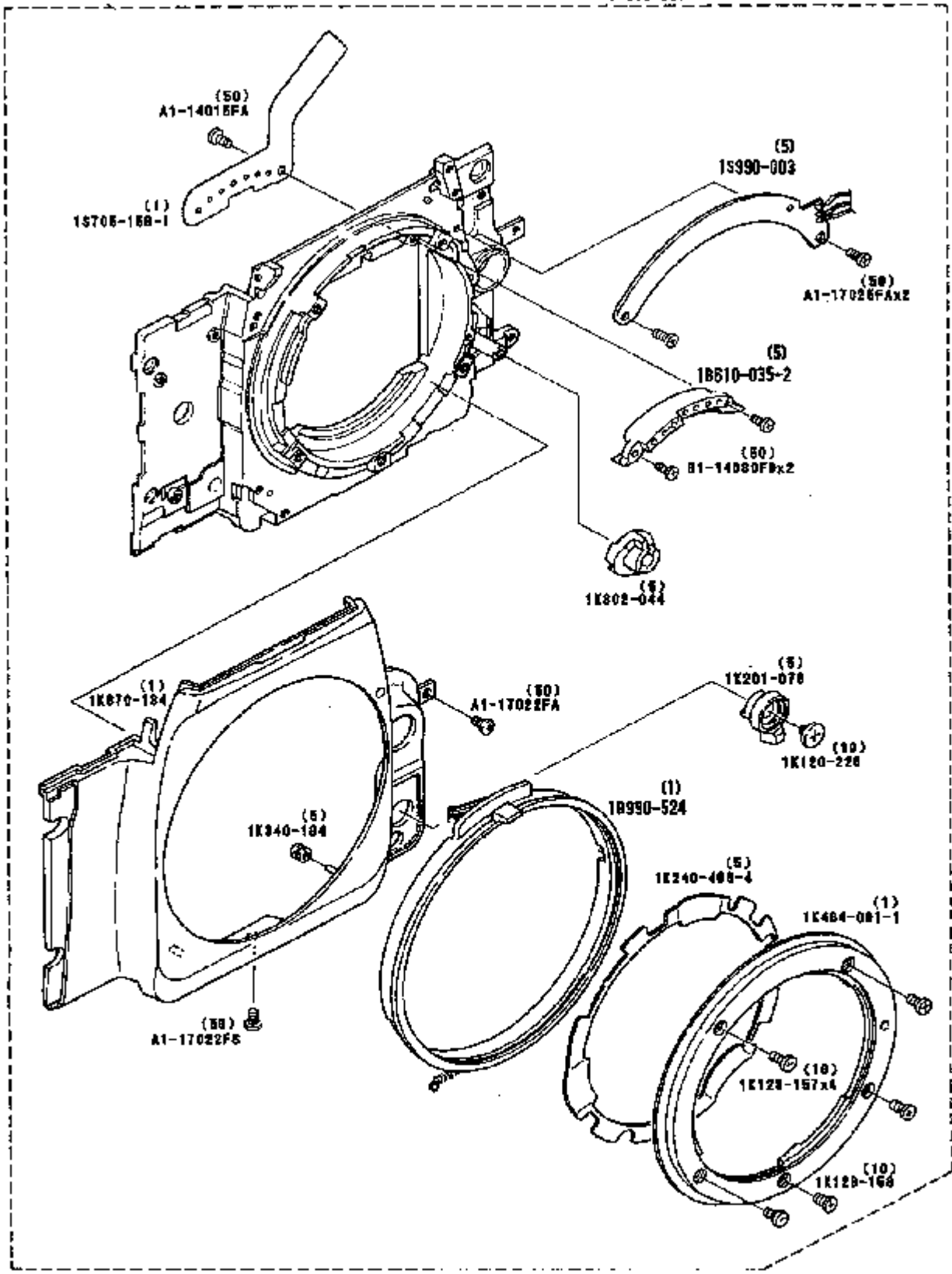
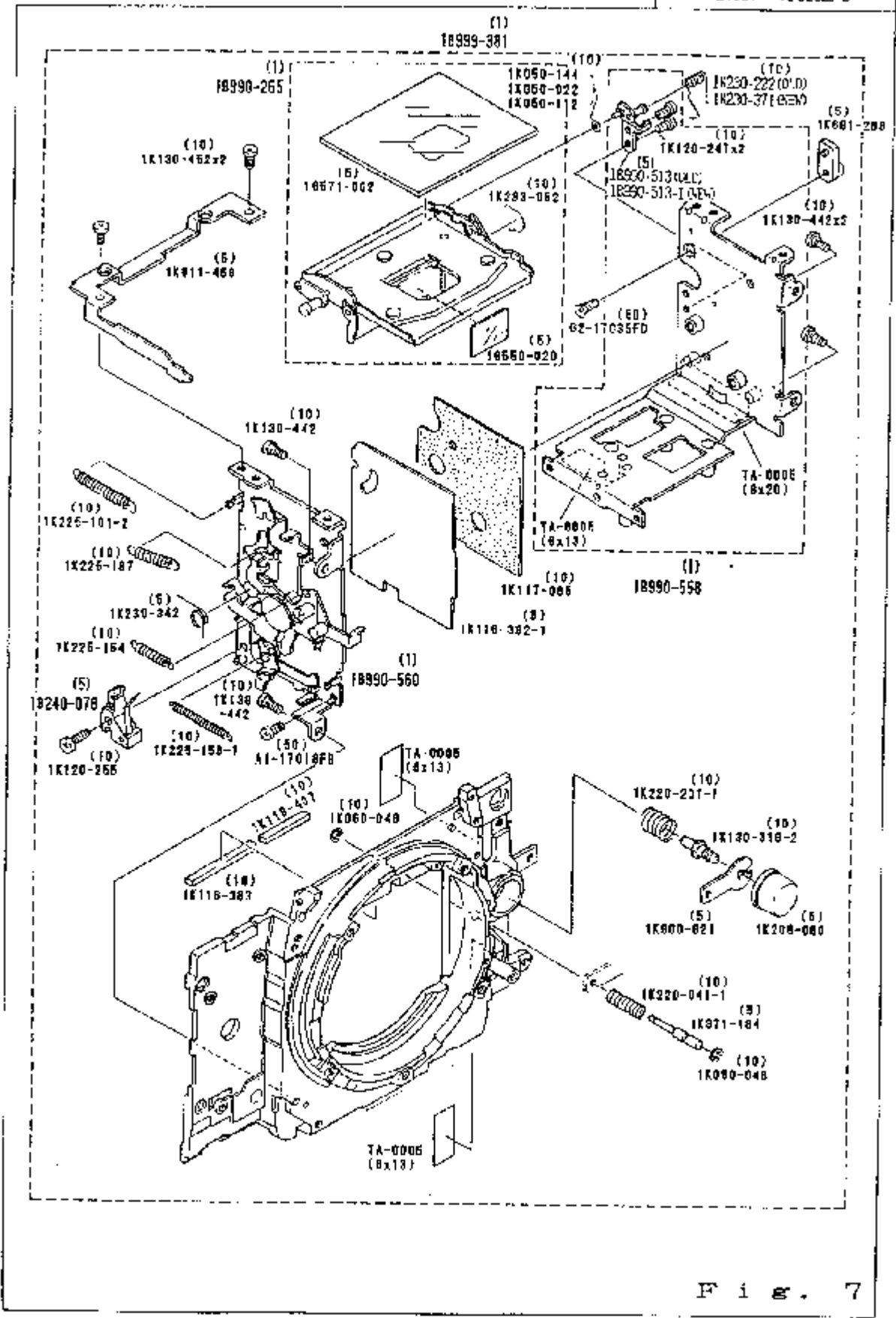
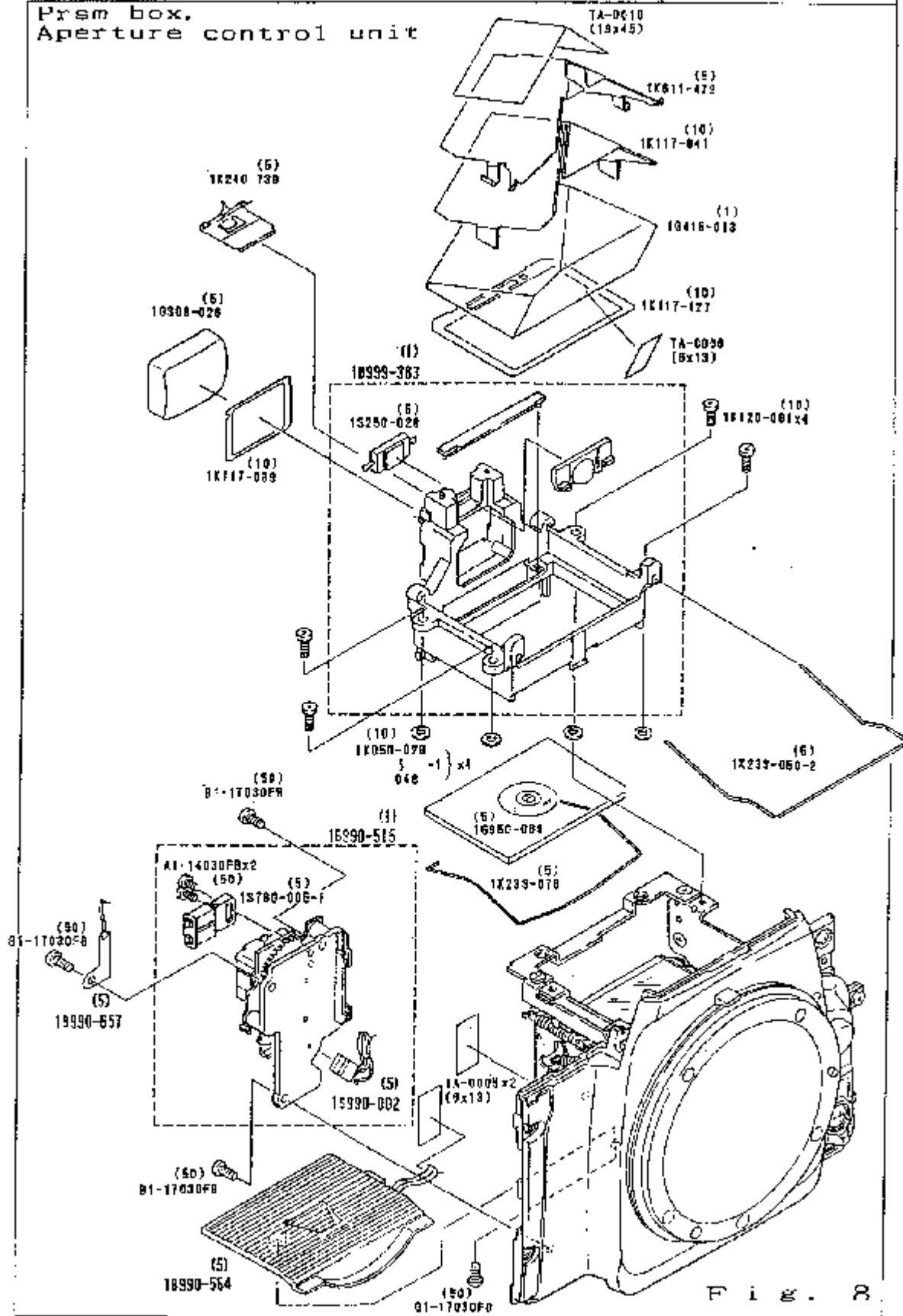


Fig. 6



F i g . 7

Prism box,
Aperture control unit



F I K . 2

... P R . P . R O : -

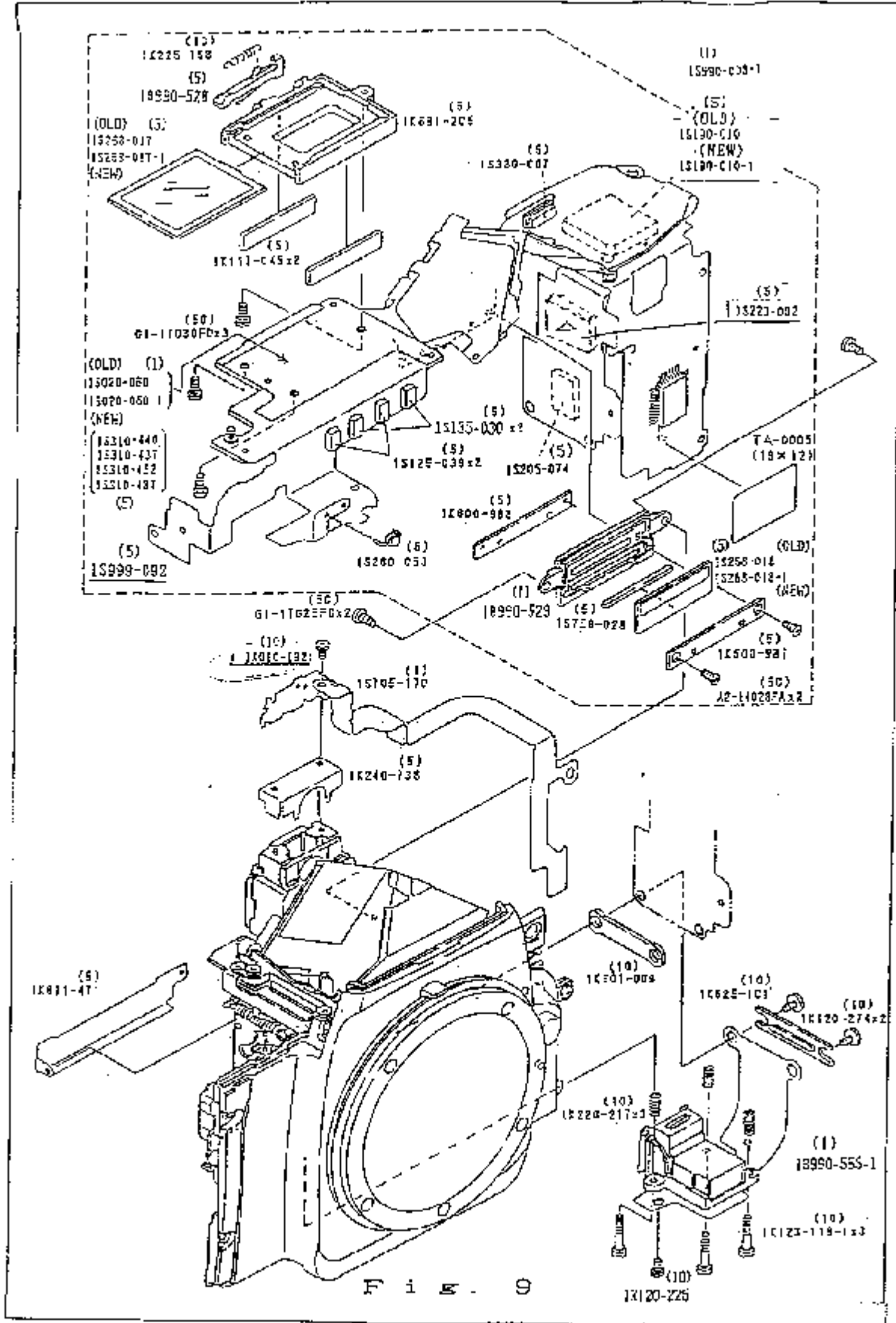


Fig. 9

A

B

FAA24051-R. 3282. B

(1)
(FAA24151)△ 18990-659-
H8006 18991-191

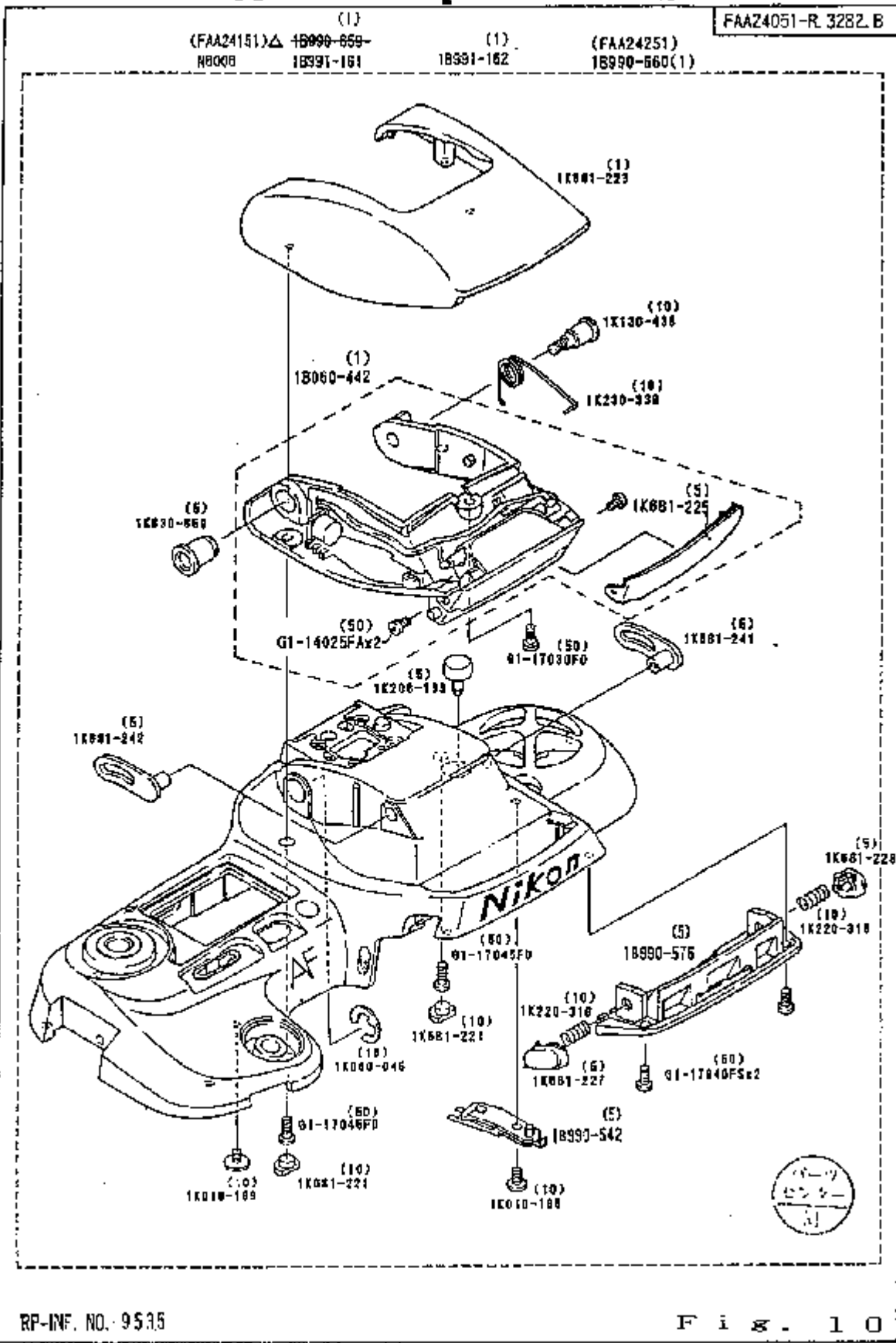
(1)
18991-162

(FAA24251)
18990-660(1)

1

2

3



RP-INT. NO. 9535

Fig. 10

Change page(差し替え) △×:

- F 1 0 - F 6 0 1 -

Apr. 19, 1995

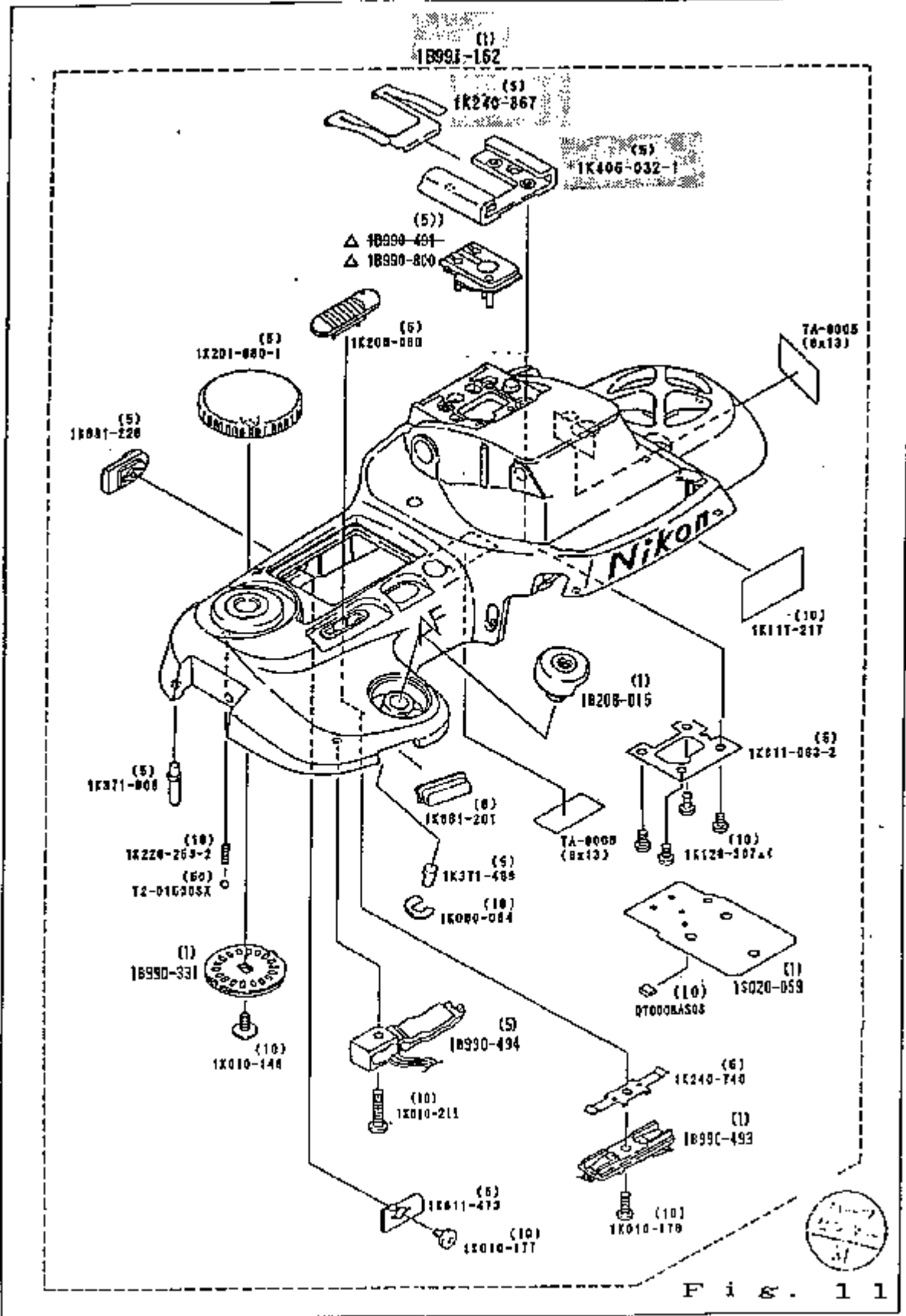
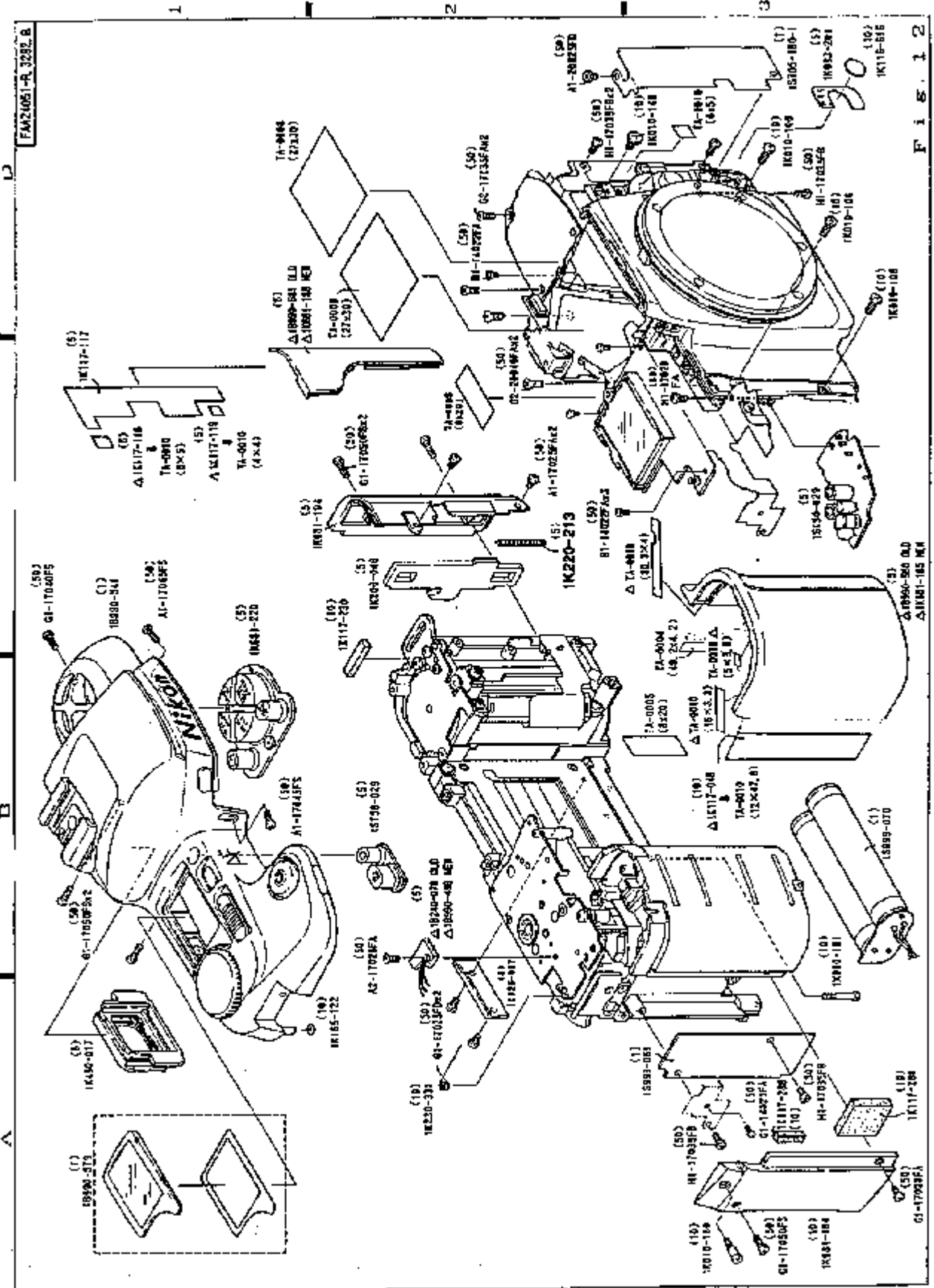


Fig. 11



Rewind base plate, Bottom cover

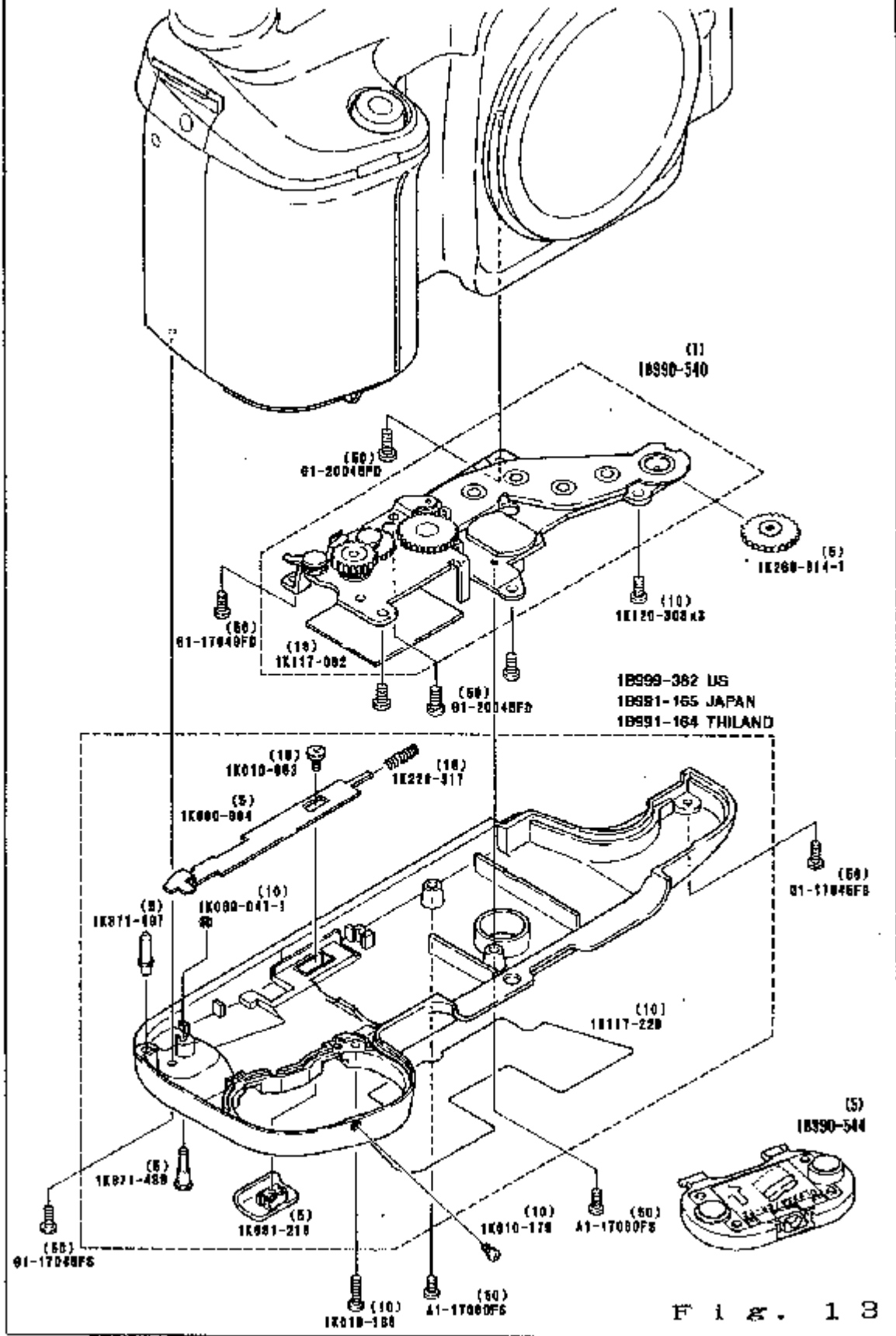


Fig. 13

Back door

