

A

B

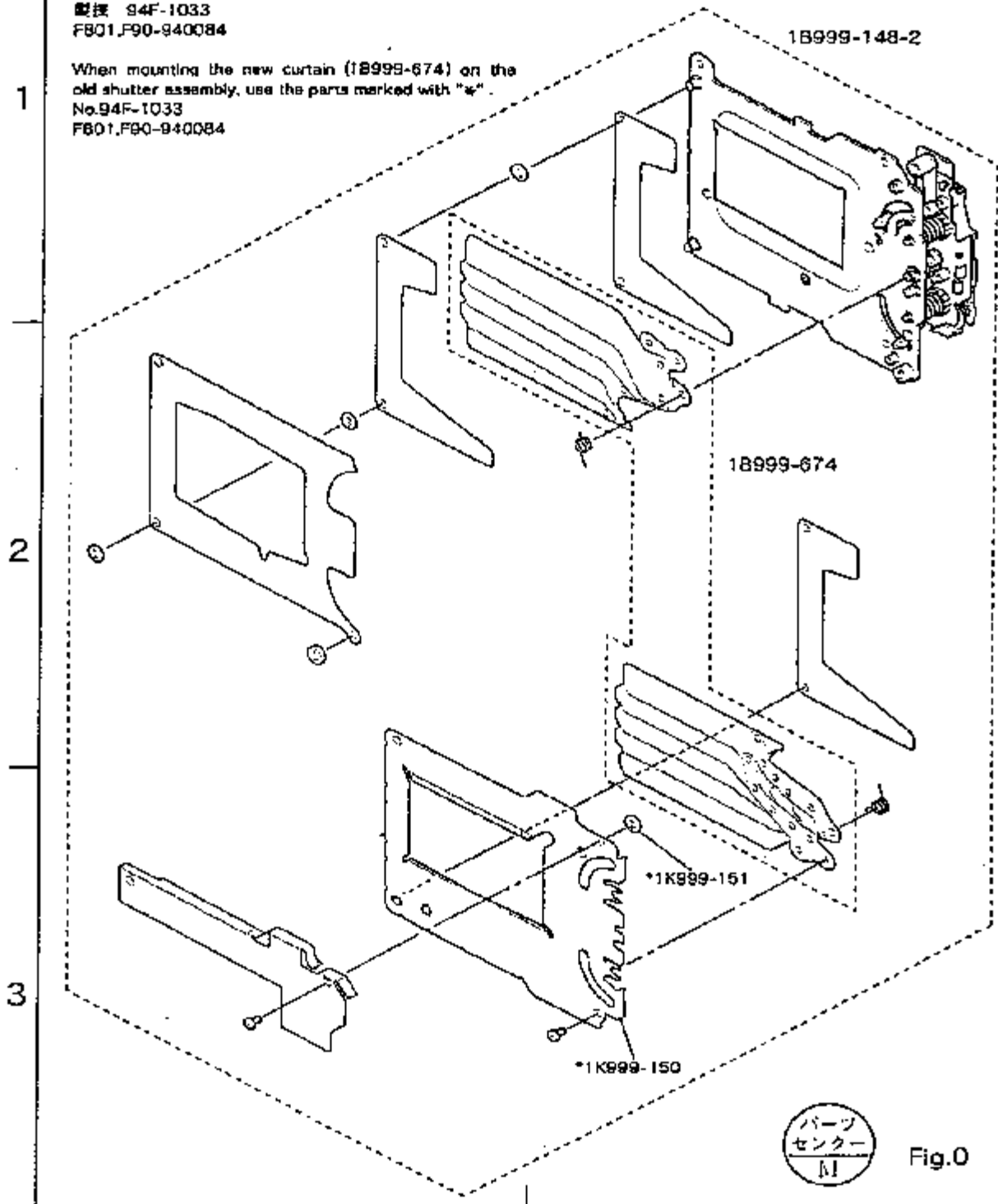
FAA22051-R.3241.B

F801 シャッター部

F801 Shutter

旧シャッター組品に新シャッター幕18999-674を取付ける時は*の部品を使用すること
 製法 94F-1033
 F801,F90-940084

When mounting the new curtain (18999-674) on the old shutter assembly, use the parts marked with "*" .
 No.94F-1033
 F801,F90-940084

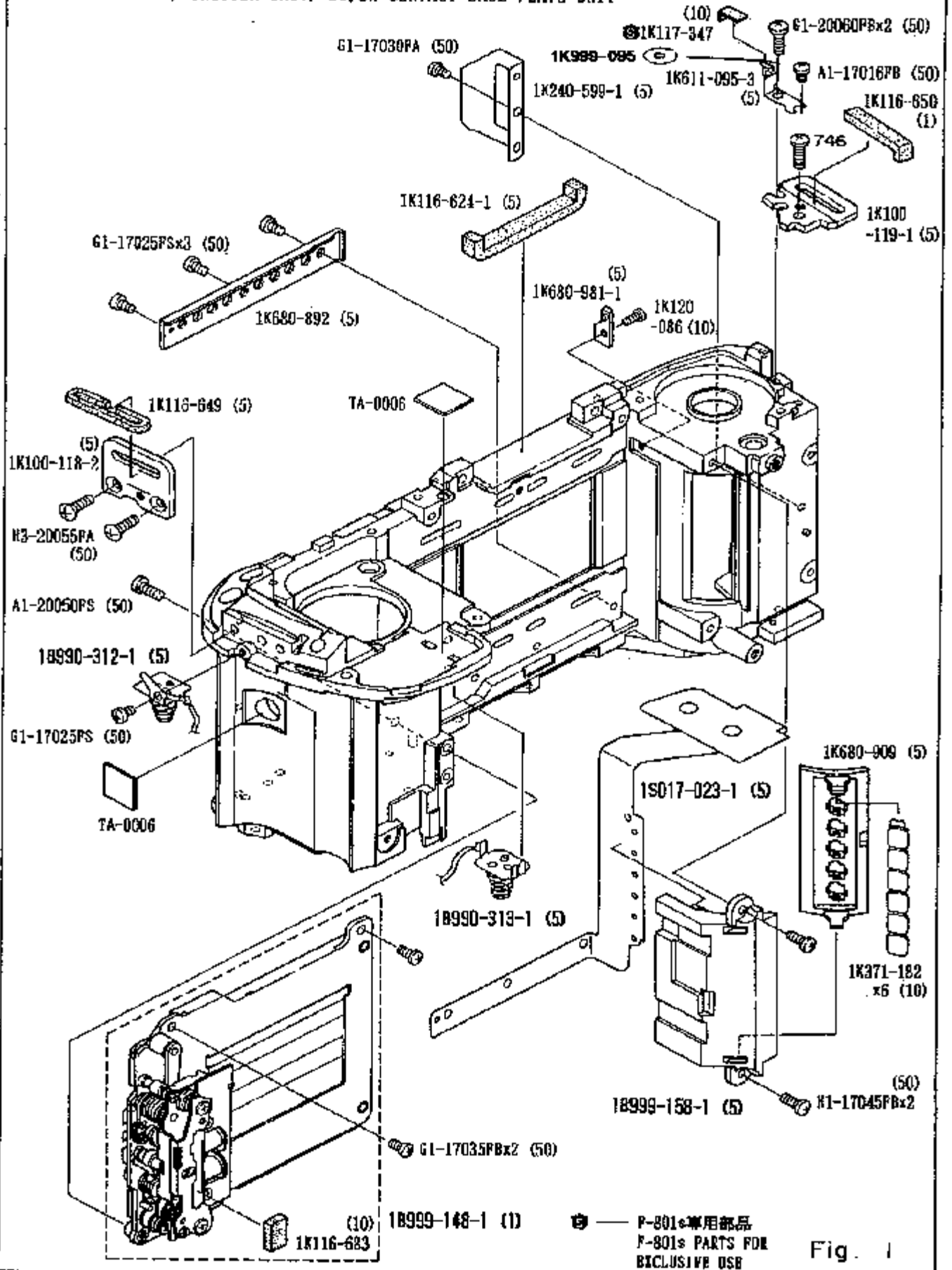


Added page(追加)

-FO-F801-

SEP. 5. 1995

BODY DIECASTING, SHUTTER UNIT, DB, DX CONTACT BASE PLATE UNIT



REWIND BASE PLATE, CAMERA BACK OPEN/CLOSE KEY, FILM DETECTION SW

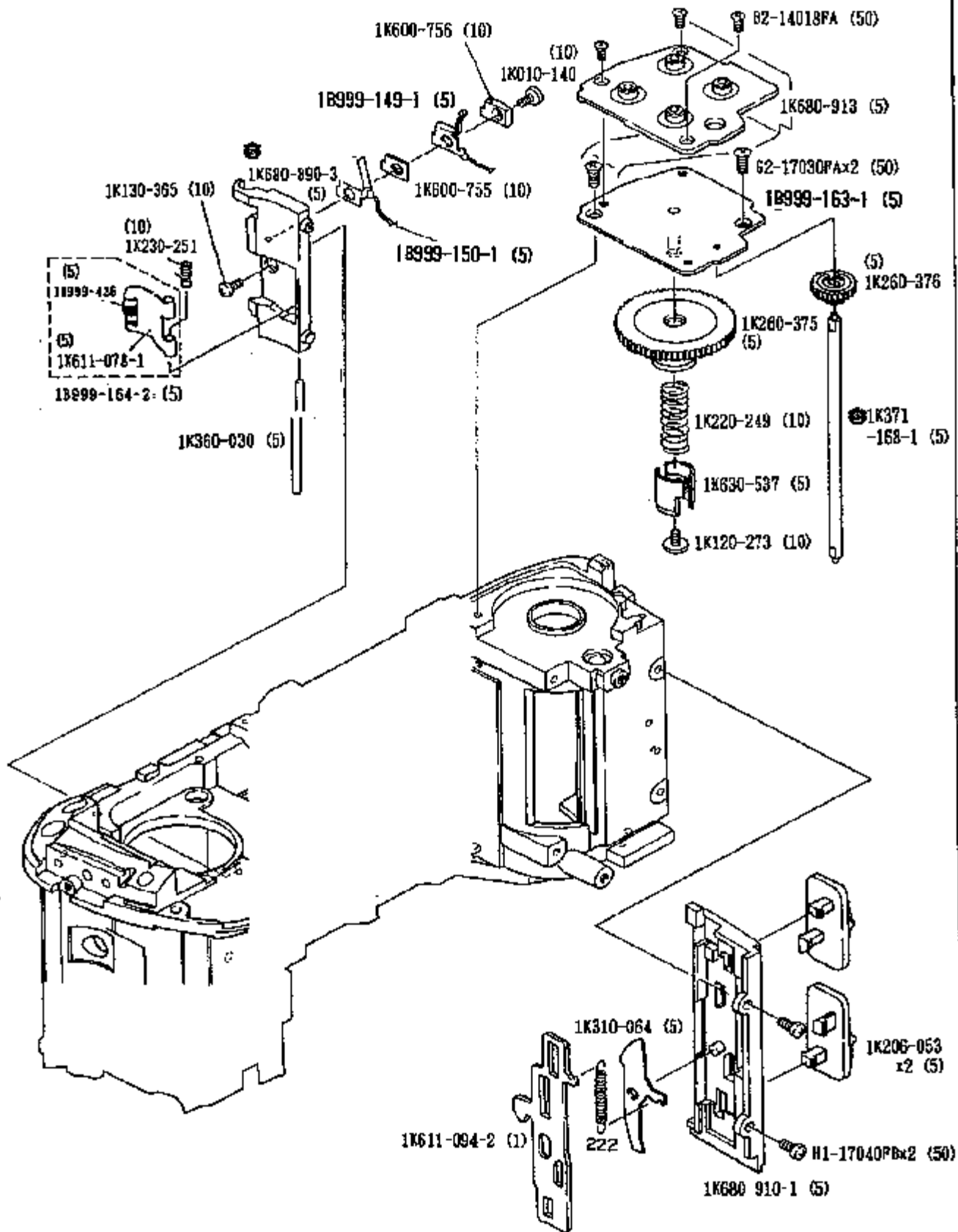


Fig. 2

SEQUENCE BASE PLATE UNIT

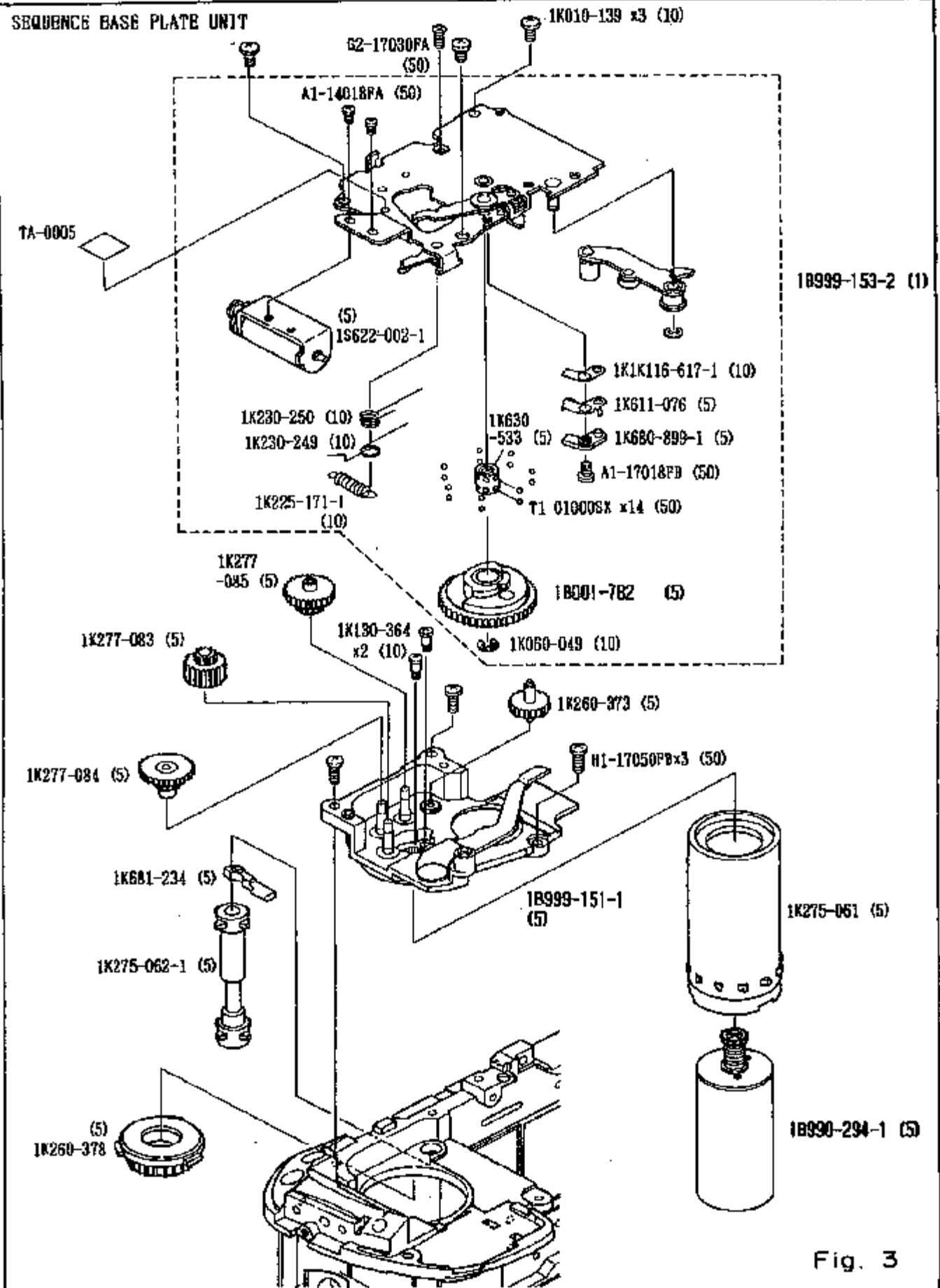


Fig. 3

POWER SWITCH, FILM ADVANCE BASE PLATE UNIT

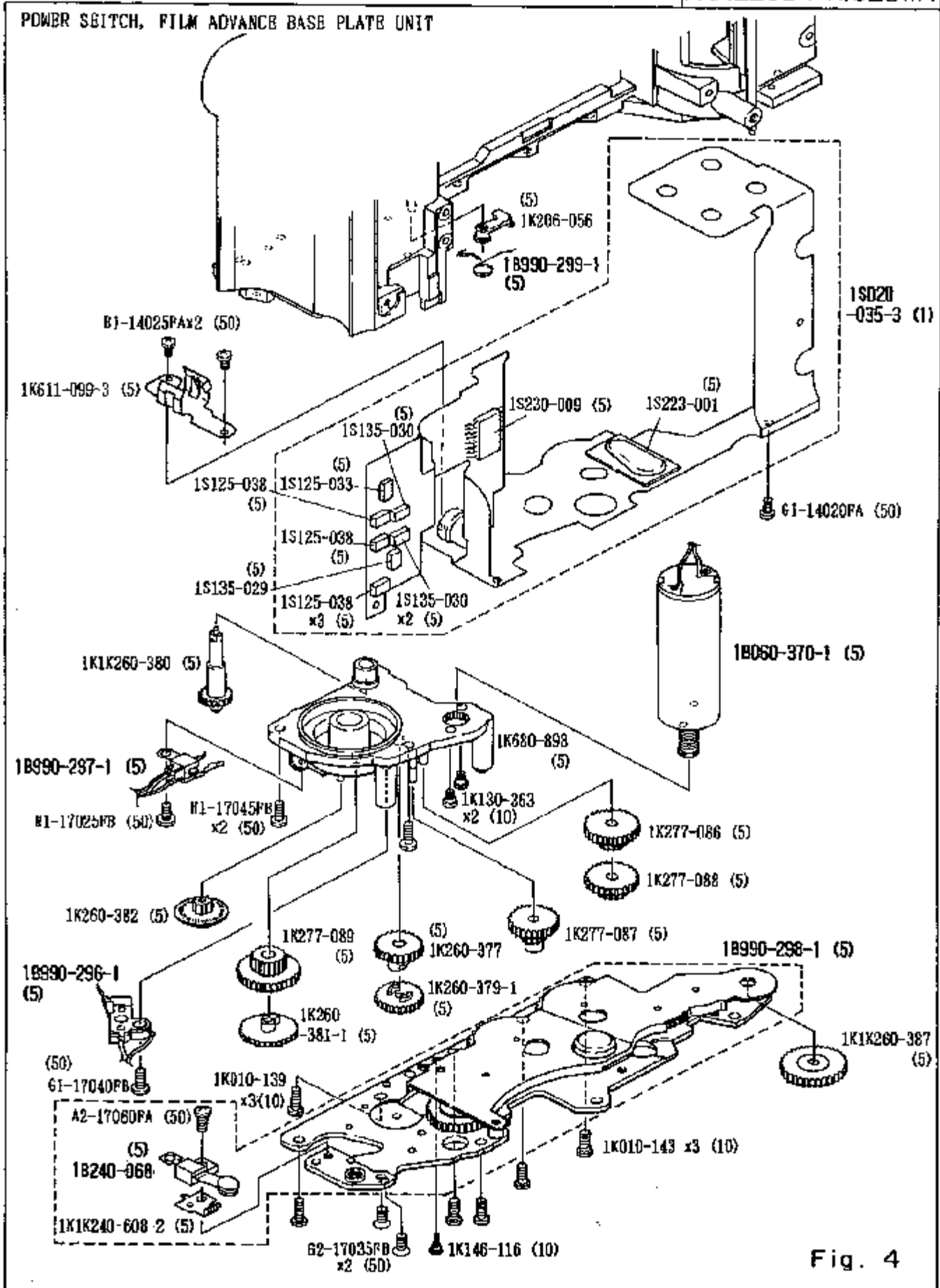


Fig. 4

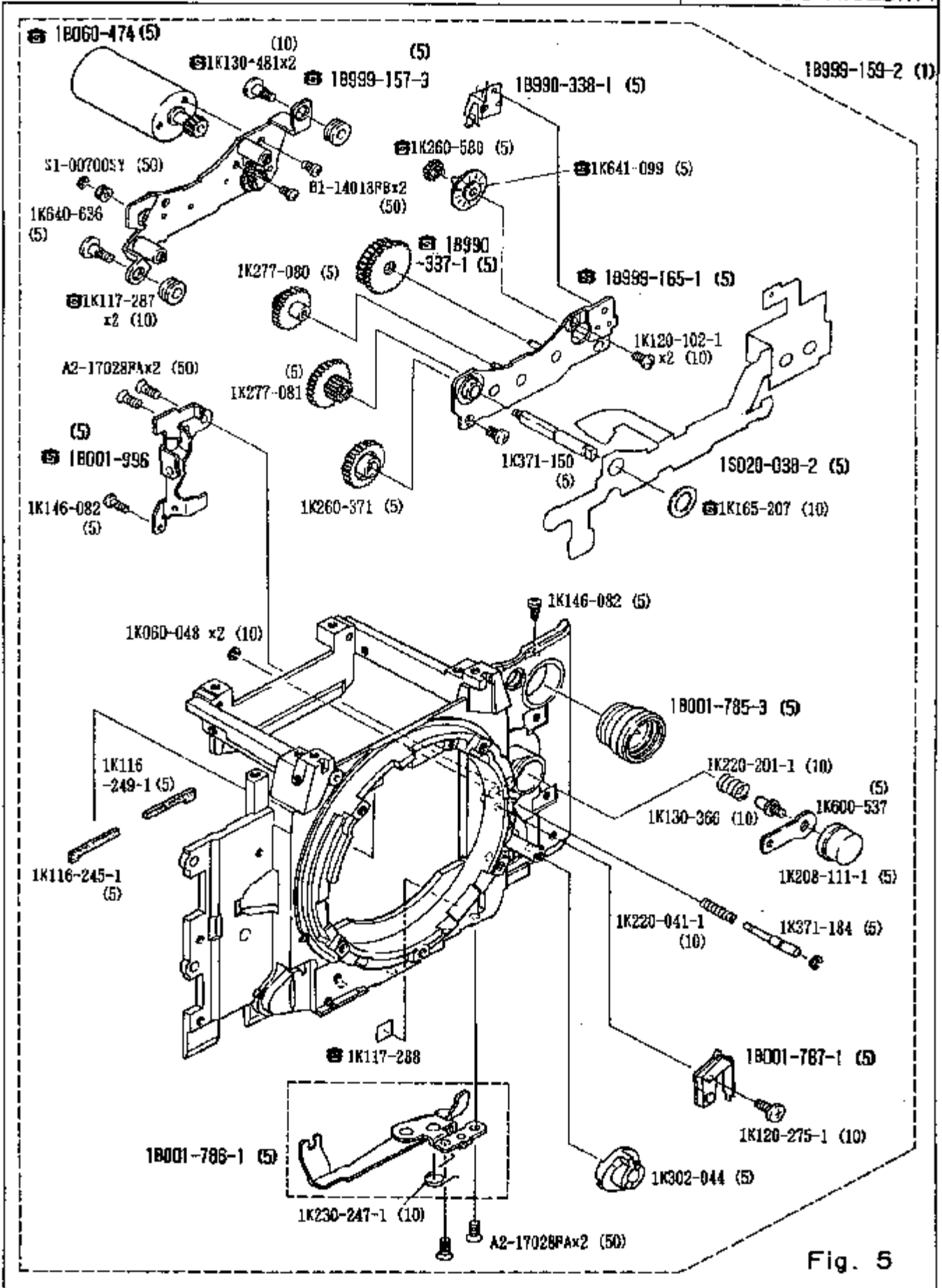


Fig. 5

FRONT BODY, MIRROR BOX

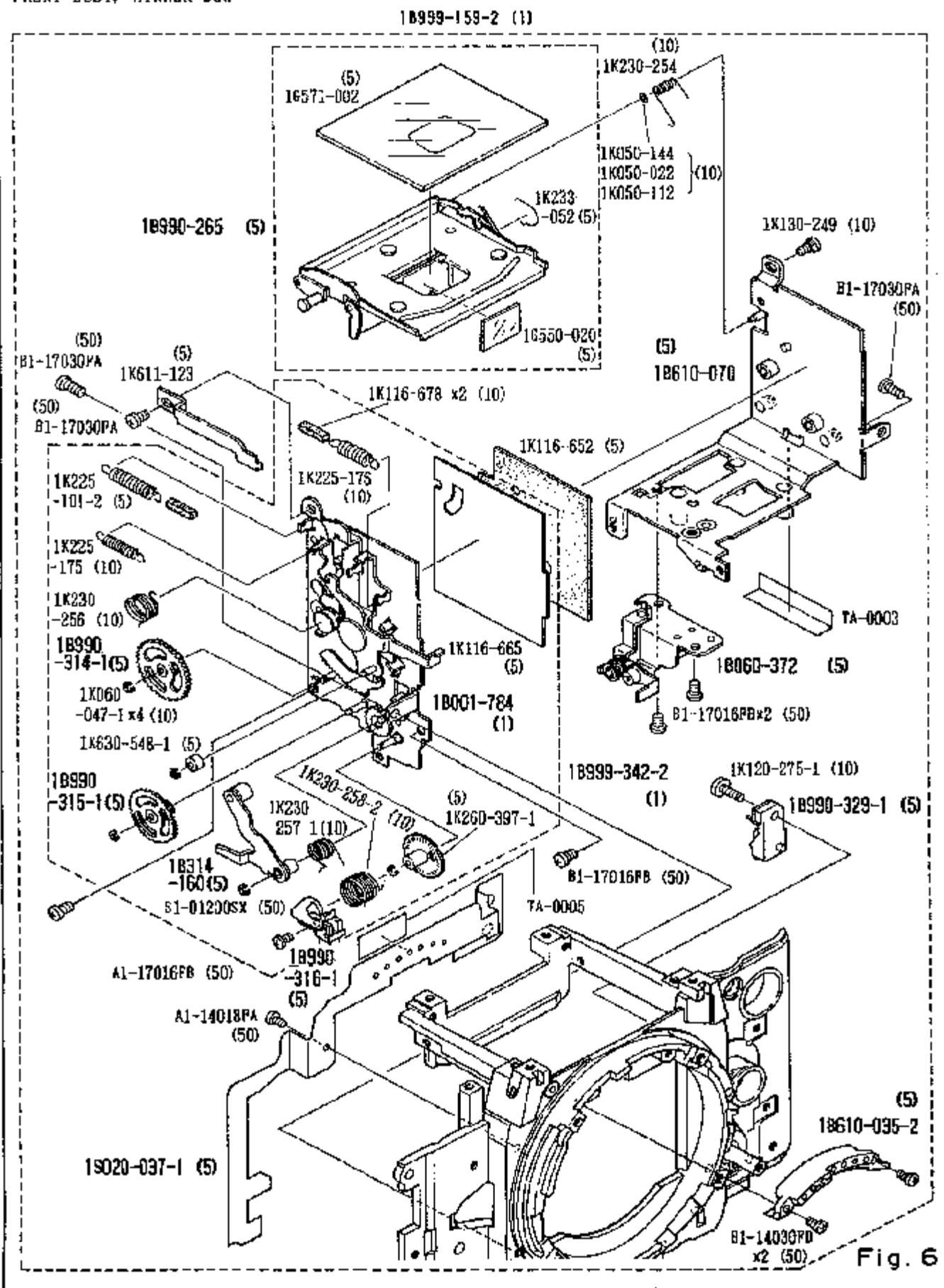


Fig. 6

PRISM

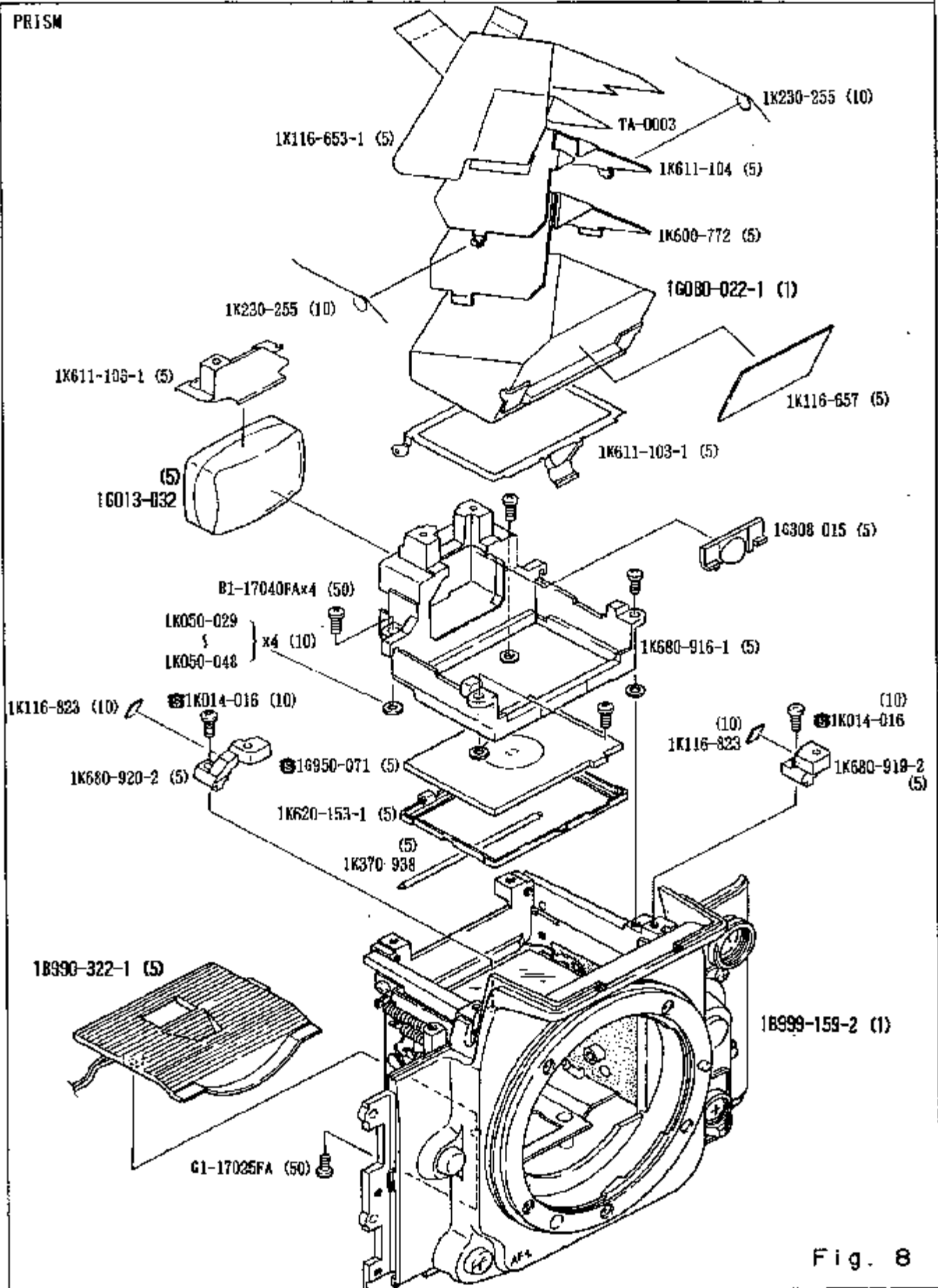


Fig. 8

FRONT BODY, APRON, MANUAL APERTURE BASE PLATE

18999-159-2 (1)

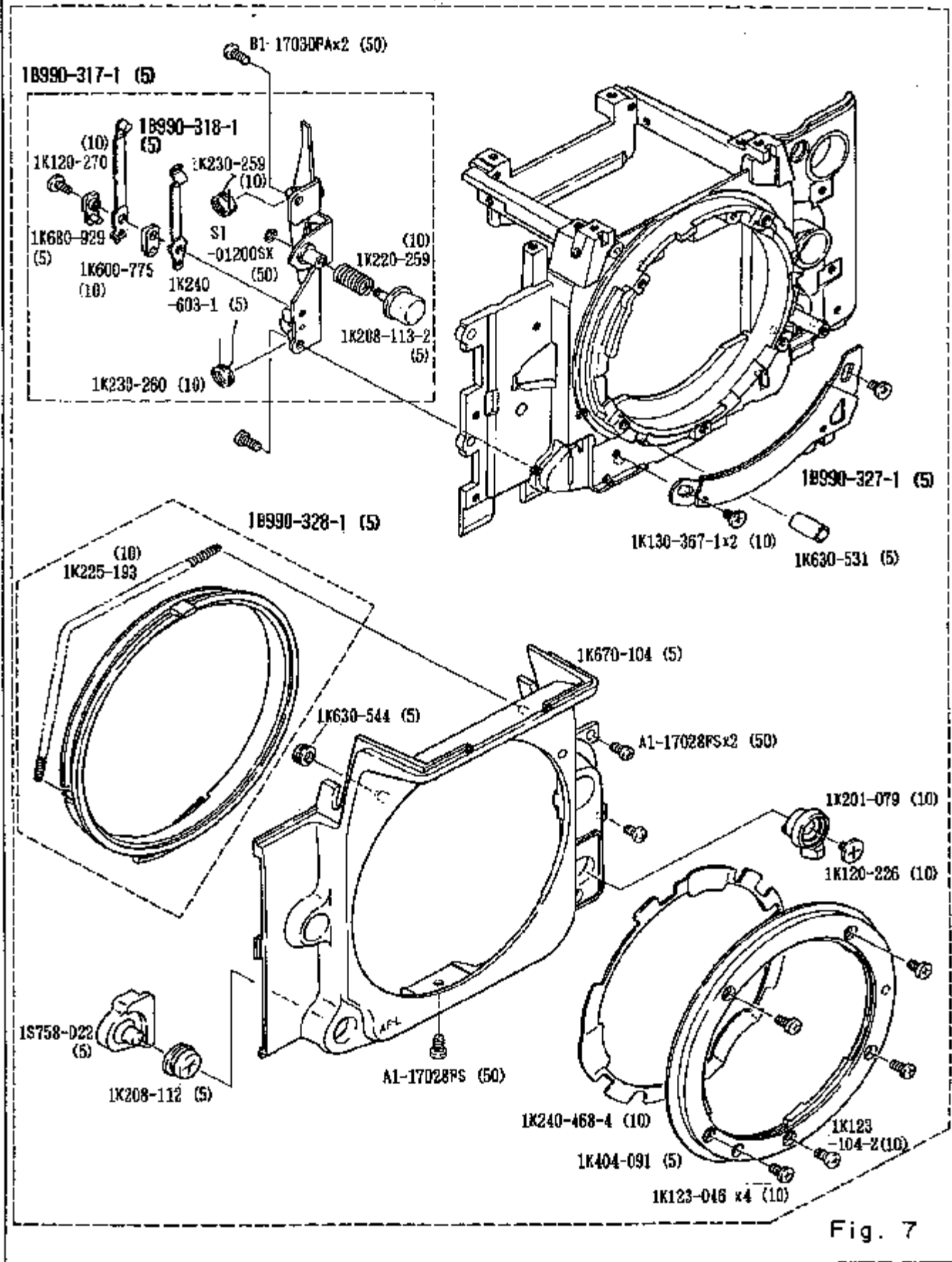


Fig. 7

INTERNAL & EXTERNAL LCD, MAIN FPC

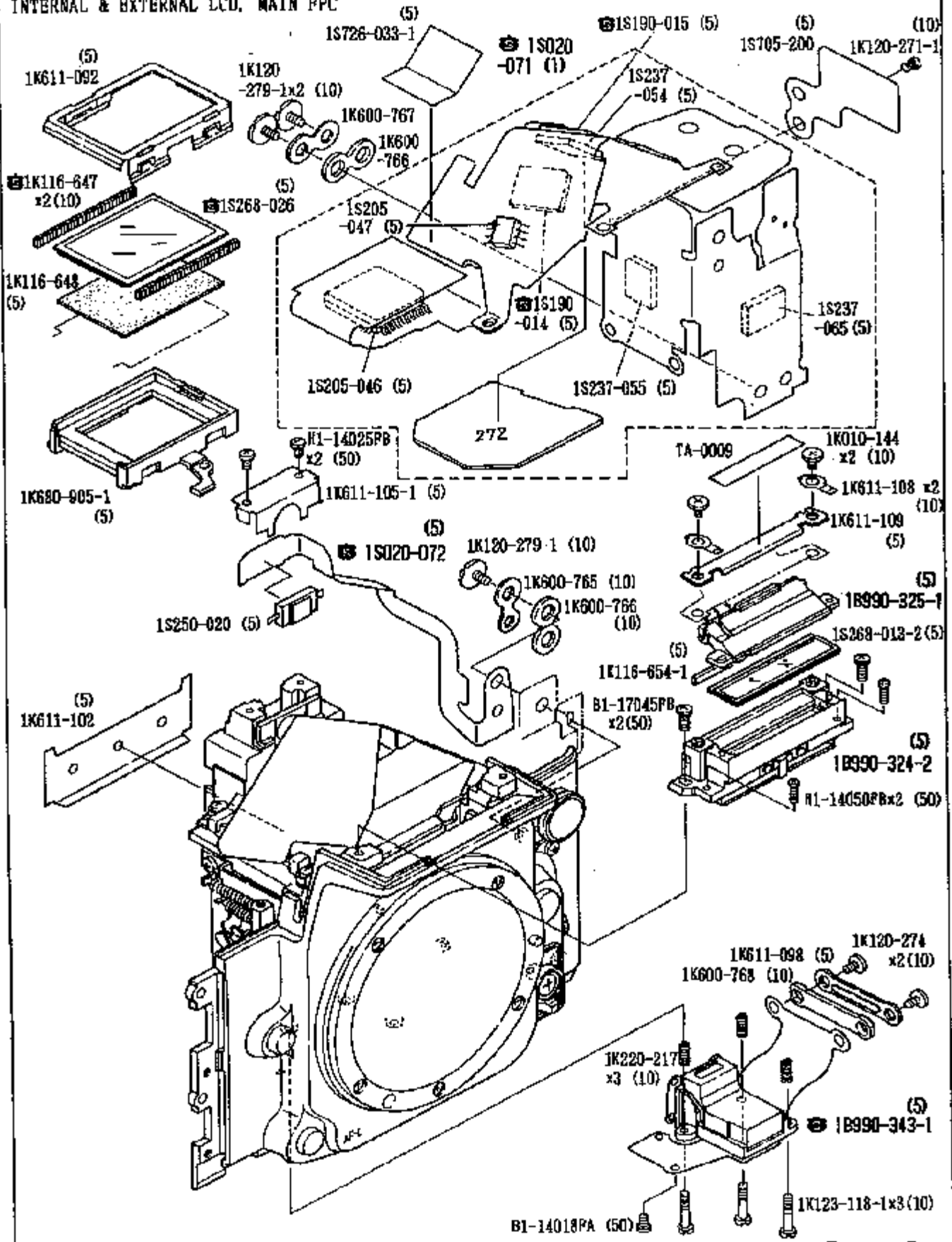


Fig. 9

TOP COVER

FAA22052
18999-154-2 (1)

FAA22152
18999-160-2 (1)

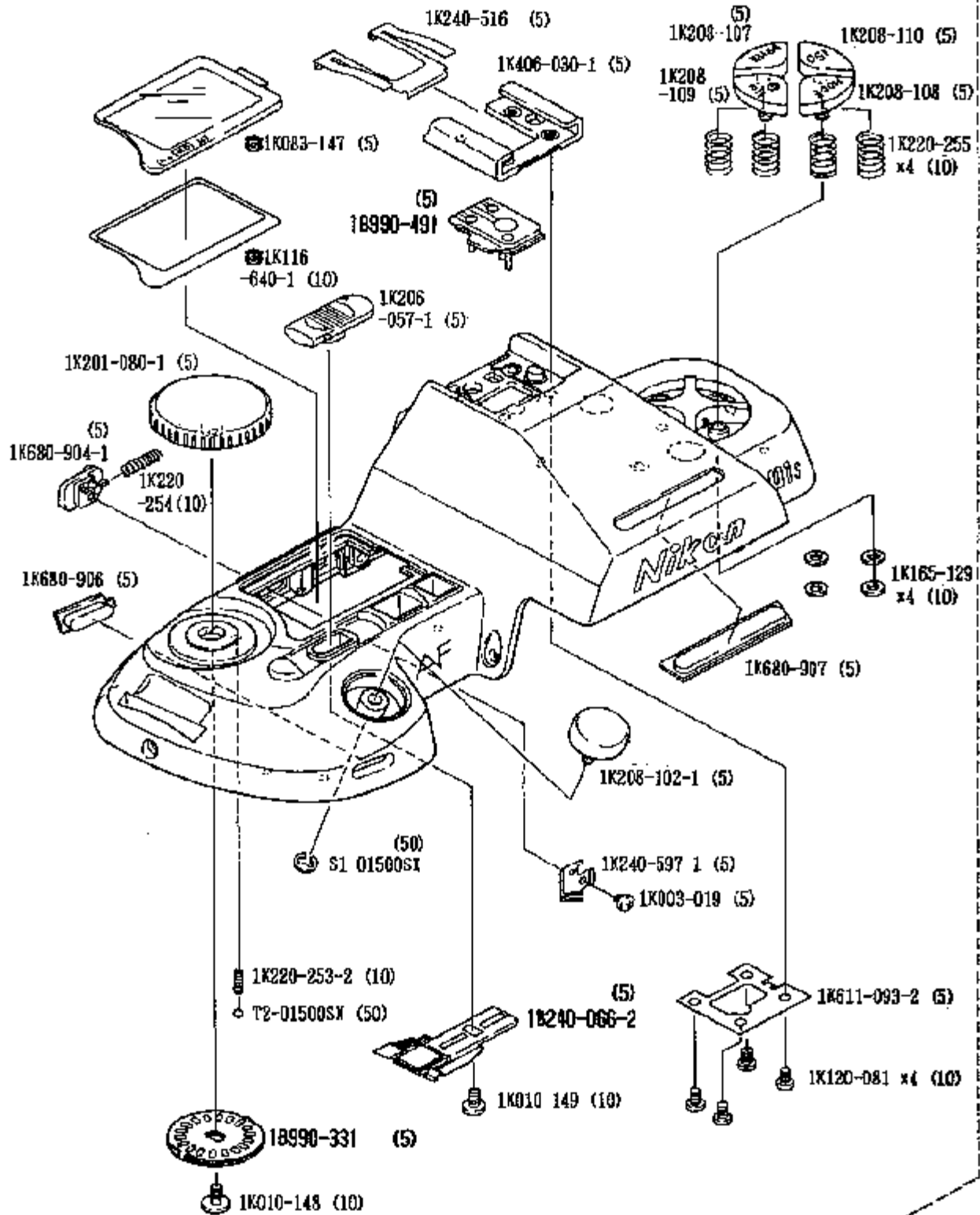


Fig. 11

TOP COVER, TOP COVER FPC

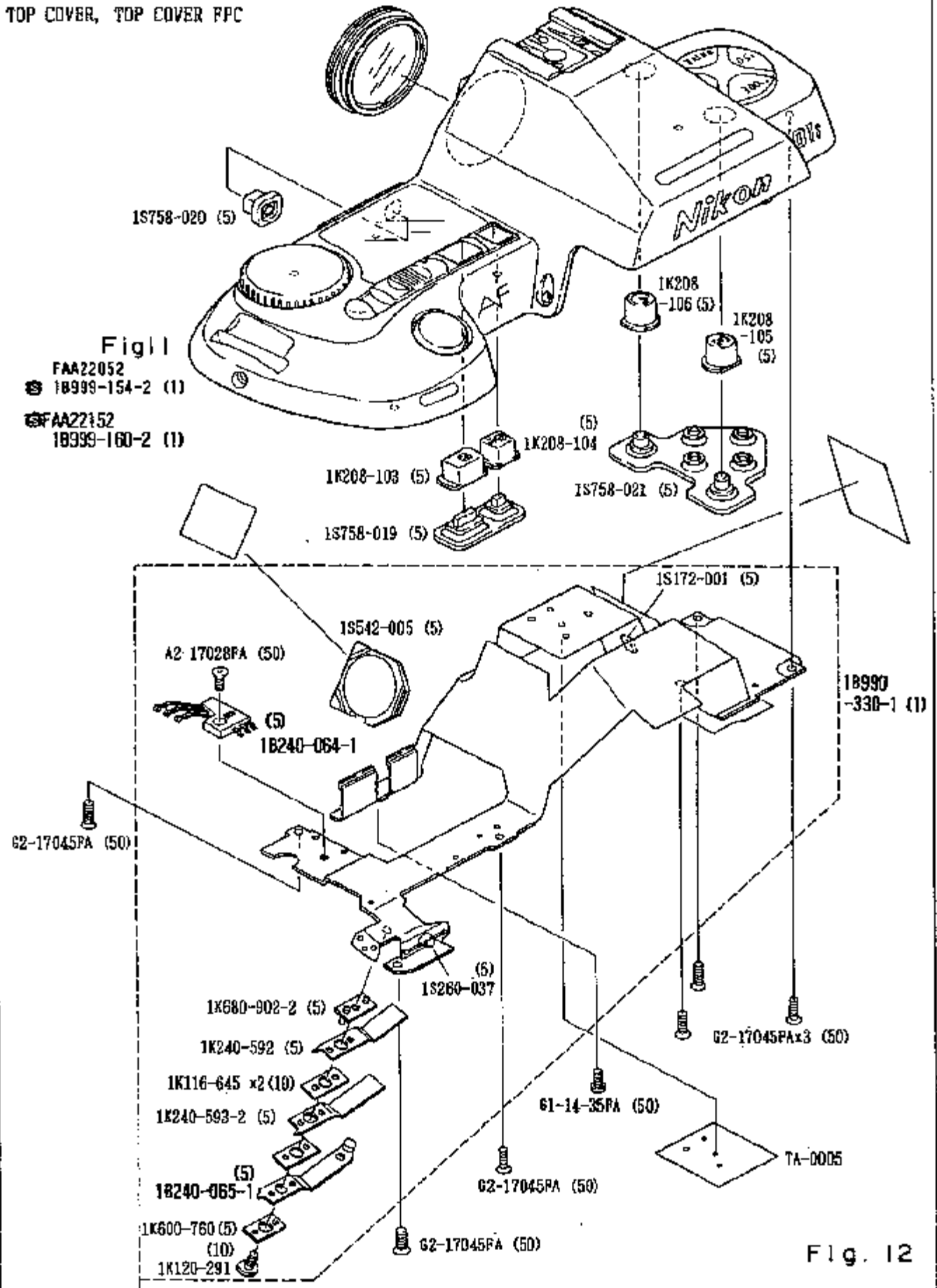


Fig. 12

BOTTOM COVER, BATTERY HOLDER

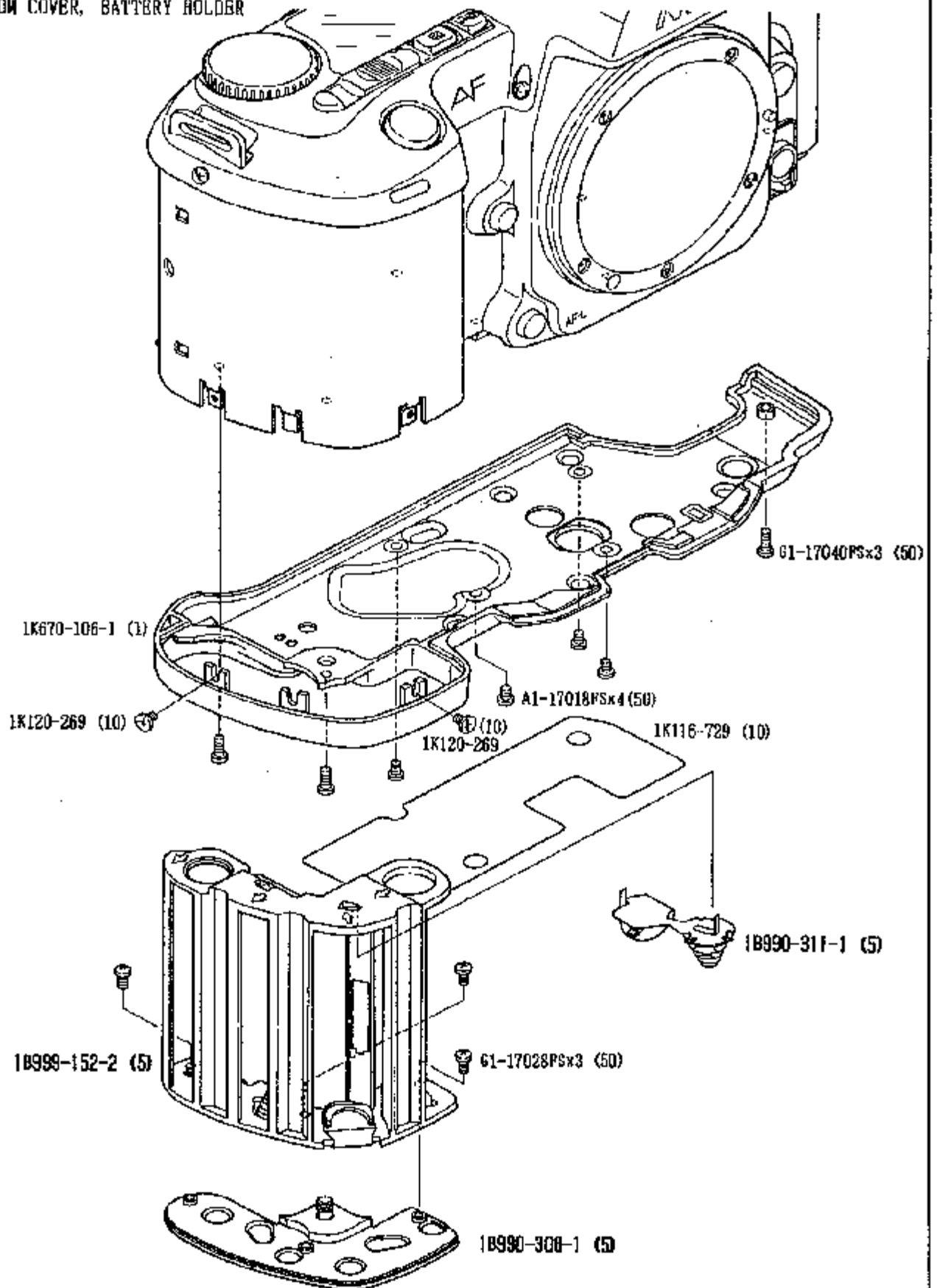


Fig. 13

CAMERA BACK

18999-155-3 (1)

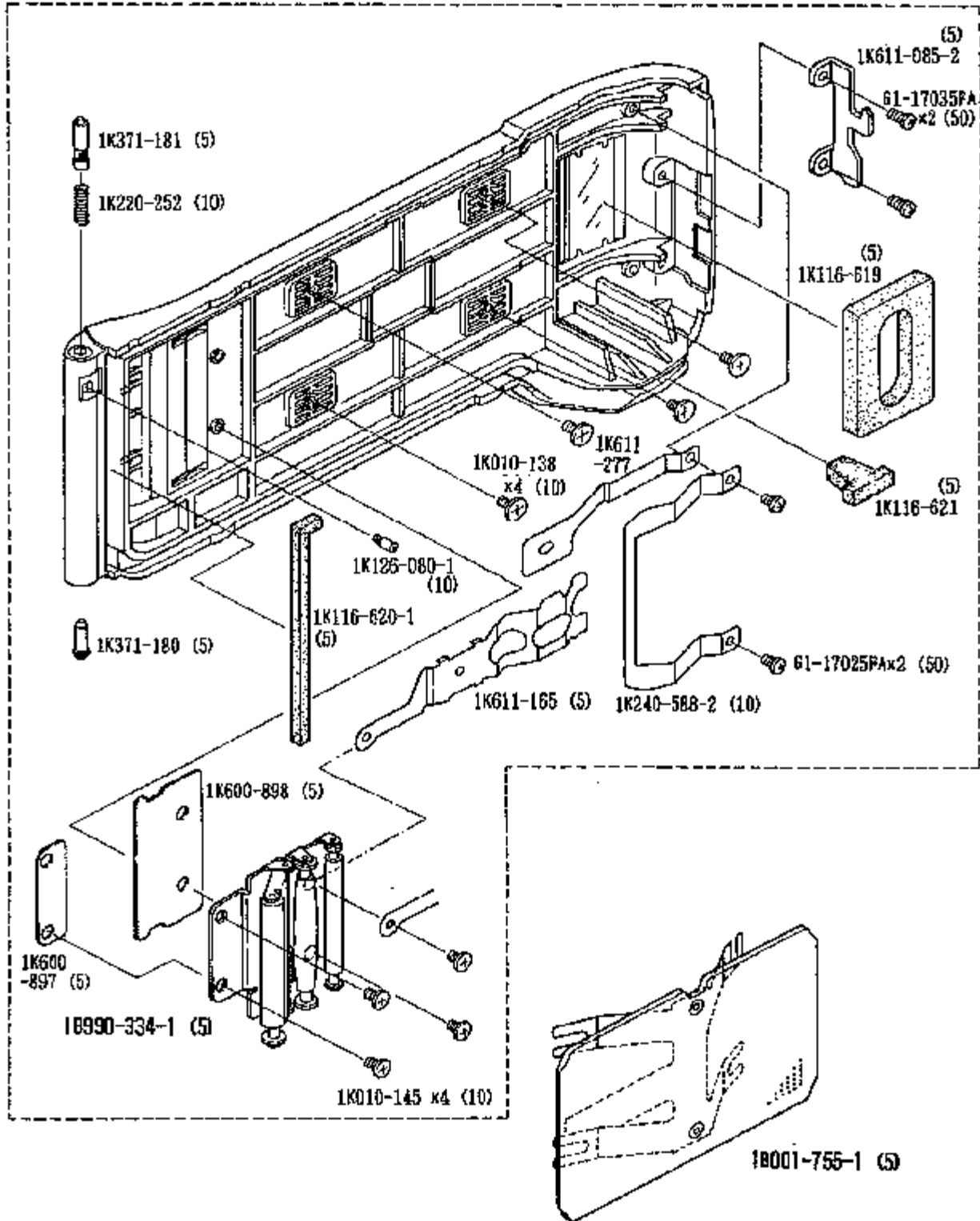


Fig. 14